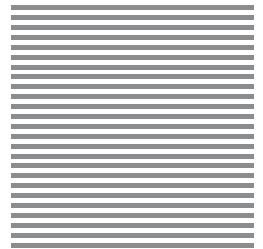
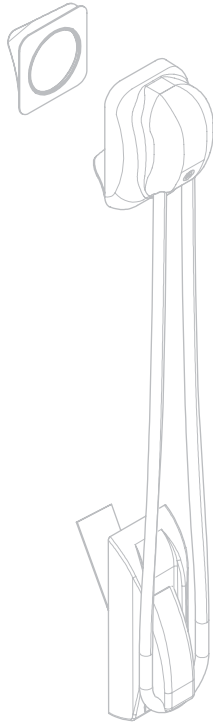


SL27C duette

SL32C duette

PLEATED BLIND

black-out

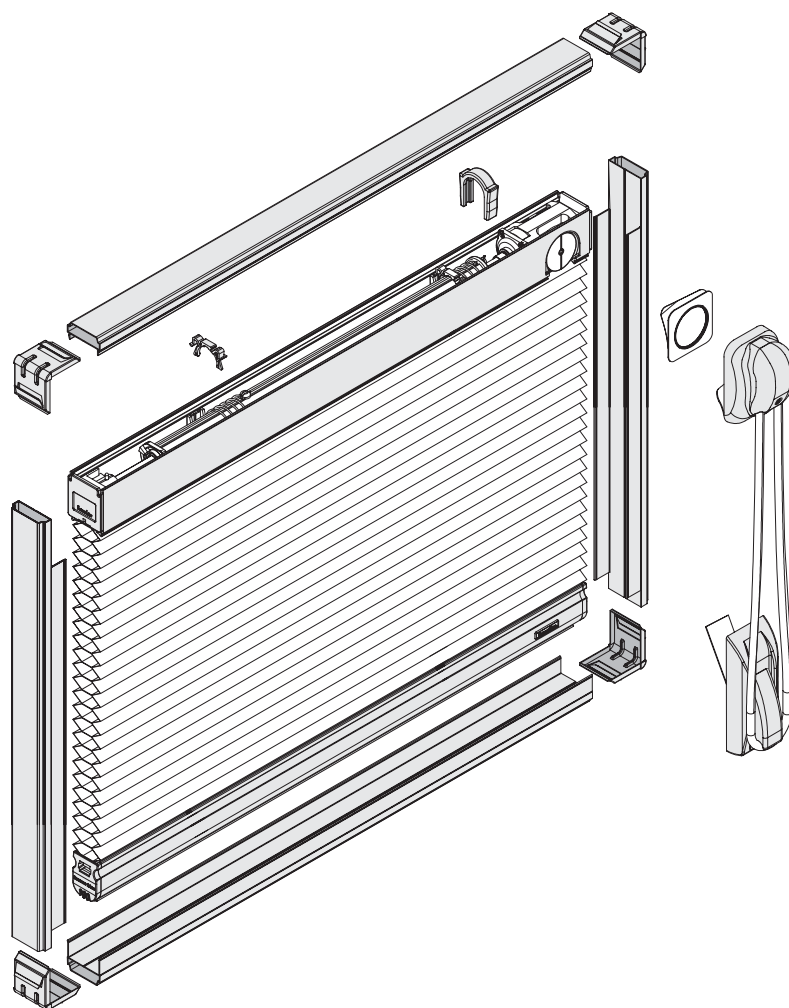


ScreenLine®

ScreenLine

SL27C duette

SL32C duette



The ScreenLine® pleated blind SL27C or SL32C duette for use in double-glazed units, is manufactured in accordance with high technical specification and production standards. Recommended in all cases where total blackout conditions are required.

The kit comes complete with U-profile for all 4 sides in order to avoid light transfer around the edge of the window. The pleated duette blind operation is achieved using a rotational magnetic transmission through the glass thereby guaranteeing the unit's hermetic seal. The external magnet, fixed to the internal glass by double-sided high performance adhesive allows perfect alignment with the internal magnet.

The raising and lowering operation is achieved using a continuous cord loop that drives the external magnet. The cord is held lightly under tension by a cord tensioner on the glass directly below the external magnet.

Height	300 ~ 2.600 mm
Width	300 ~ 2.500 mm
Maximum area	see feasibility tables
Blind pack height	3% blind height + 65 mm

1. technical features

Magnetic drive components

Fibreglass re-inforced nylon 66 casing. Transmission gears and parts manufactured from carbon-nitride steel. Ball bearing support for both magnets and gears.

Neodymium-Iron-Boron magnets with the following technical features:

Energy produced	Bh max-Mg.Oe	33-35
Residual induction	Br-Gauss	11.000 / 12.000
Coercive force	Hc-Oestered	10.000
Maximum working temperature	°C	120
Curie temperature	°C	310
Reversible temperature factor	°C	-0.12%

Head rail

Extruded aluminium, A6063S-T5 alloy.

Dimensions: width 27 mm, height 34 mm.

Powder coated in aluminium grey colour and beige.

Duette pleated fabric

Woven 100 % polyester fabric, 20 mm pleat, with a cellular structure, black out. Total black out is achieved by using a polyester microfilm coating applied to the internal surface of the cell fabric.

The holes for the cords remain hidden because they are contained within the double pleats.

Colours available: 2 (white and beige) - black out

Performance characteristic of the pleated fabric - Duette

Pleated Fabric	Solar reflection%	Light reflection%	Solar absorption%	Solar transmission%	Light transmission%
Duette	60	72	40	0	0

Bottom rail

Extruded aluminium A6063S-T5 alloy.

Dimensions: width 20 mm, height 30 mm.

Powder coated to aluminium grey or beige colour.

Manufactured in two interlocking profiles.

Cords

Thermo-fixed 100% polyester.

Internal cord: 1.0 mm diameter with internal core and excellent dimensional stability and very little shrinkage effects at high temperature, colour white.

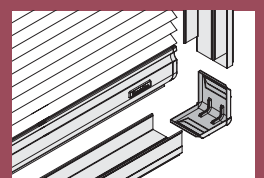
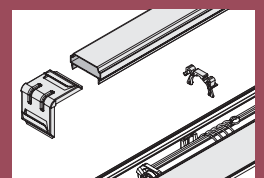
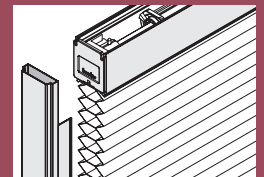
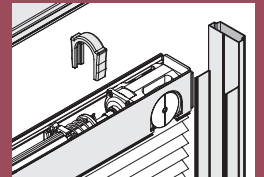
External cord: 4.0 mm diameter; colours available: white, black or light grey.

Spacer bar

Extruded aluminium. Dimensions: width 27 mm, height 8 mm.

Superior "U" shaped spacer bars with 4,2 mm pelmet; Inferior and sides: "C" shaped spacer bars with 12 mm clipping projection.

"C" shaped spacer bars are supplied with "No-Dust treatment".



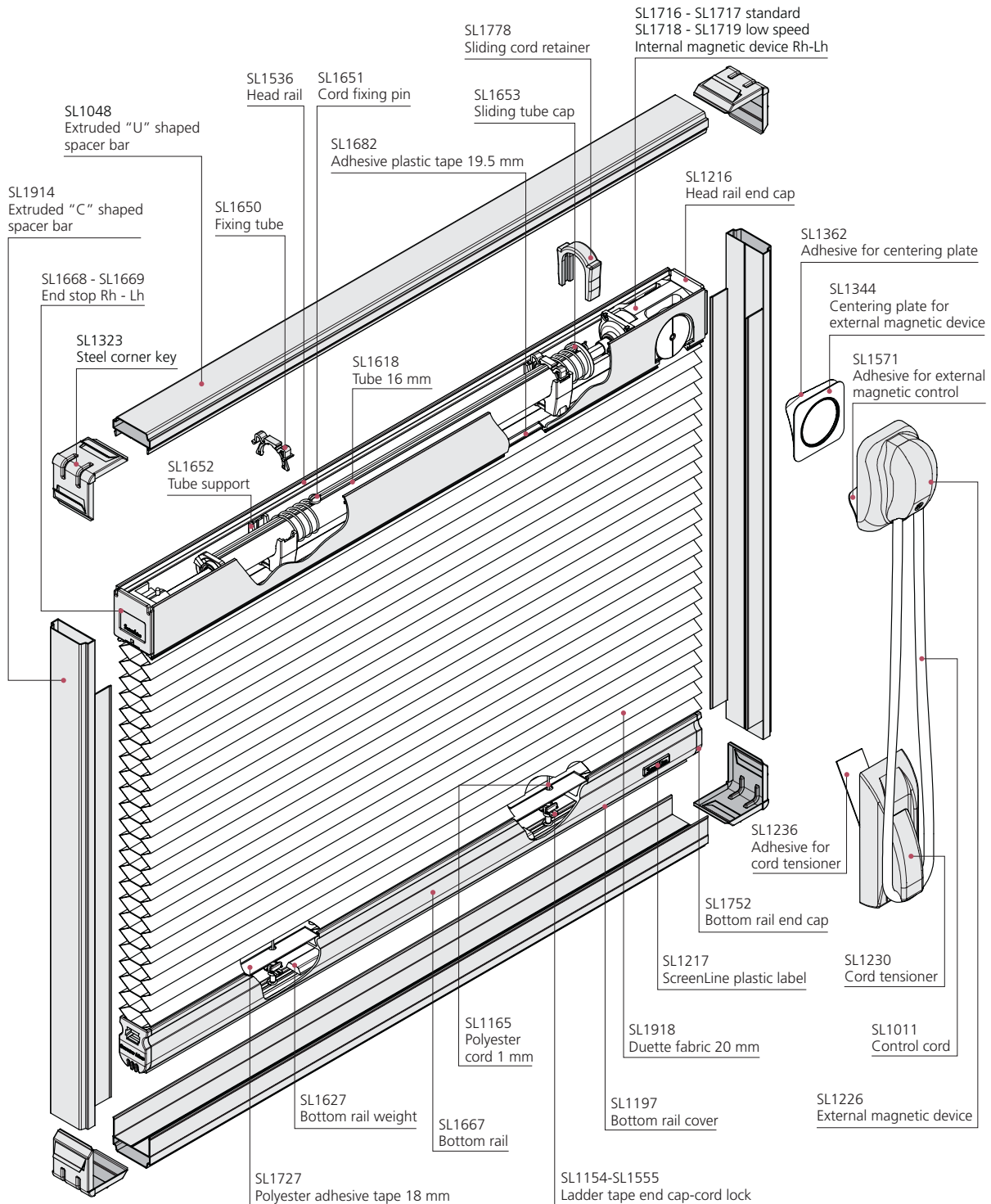
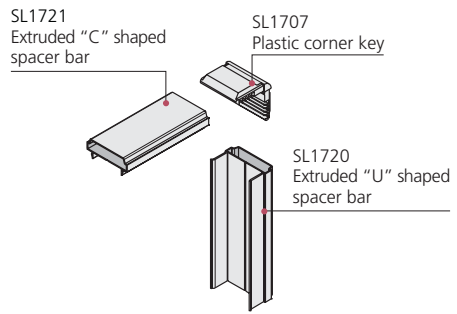
SL27C duette

2. technical drawings

comprehensive drawing with component codes

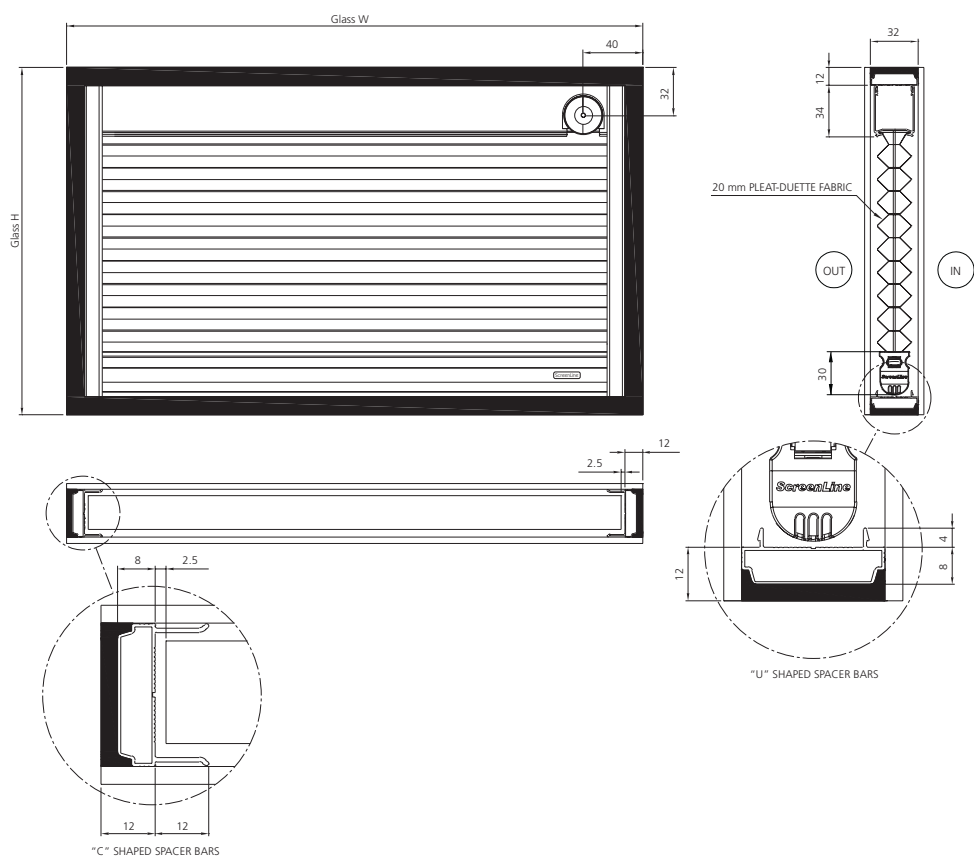
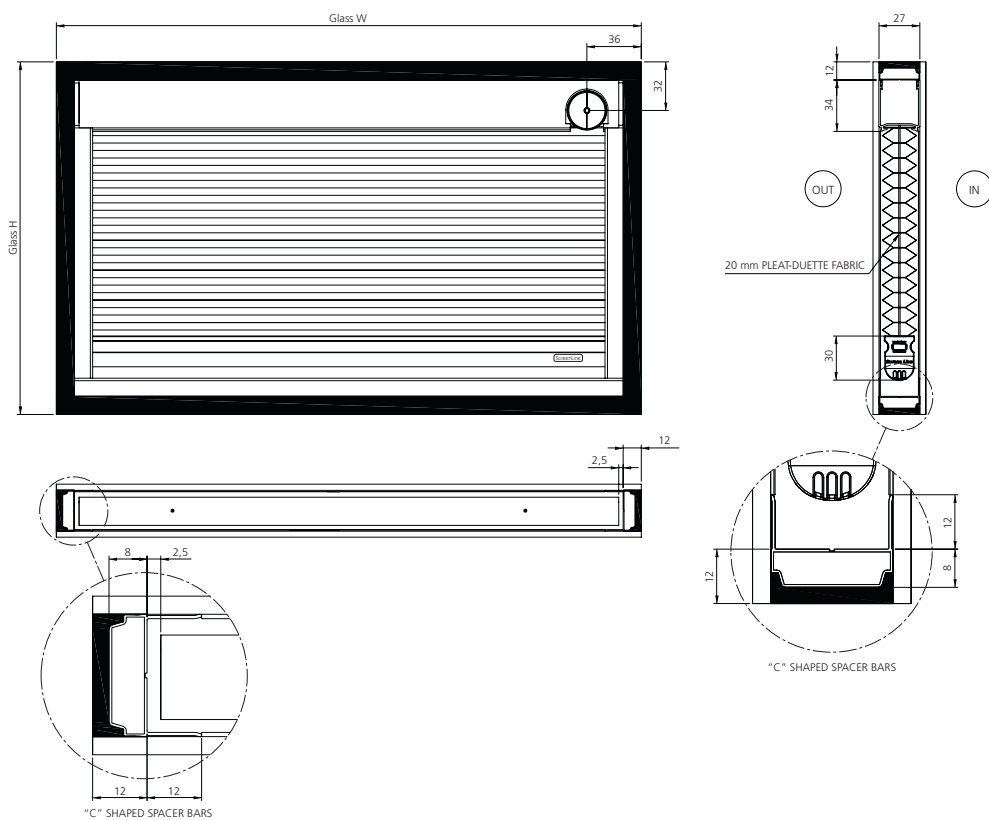
For the system SL32C duette →

- SL1707 Plastic corner key
- SL1720 Extruded "U" shaped spacer bar
- SL1721 Extruded "C" shaped spacer bar

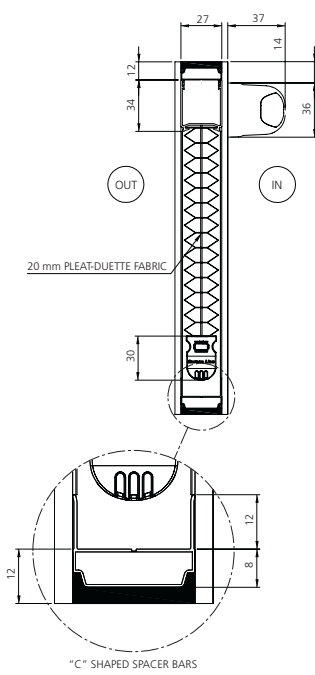
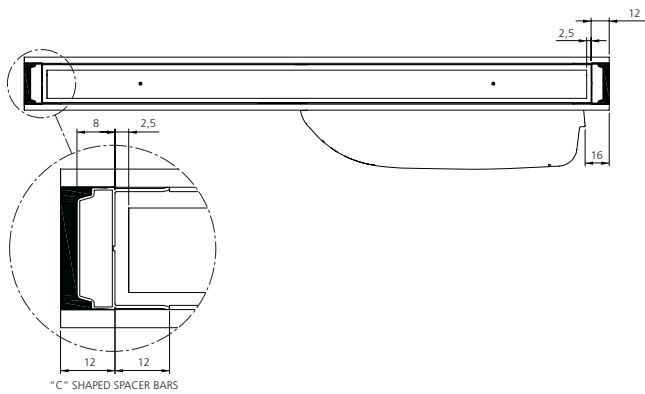
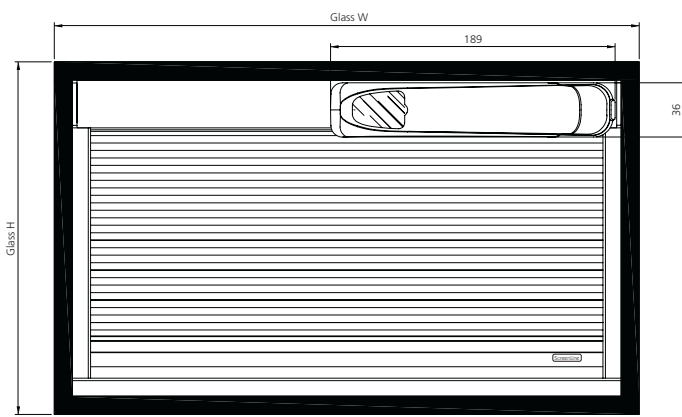
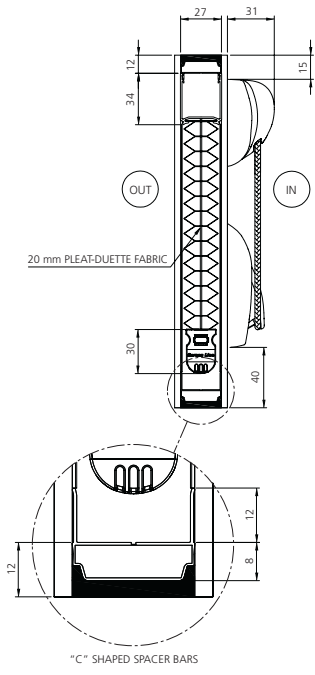
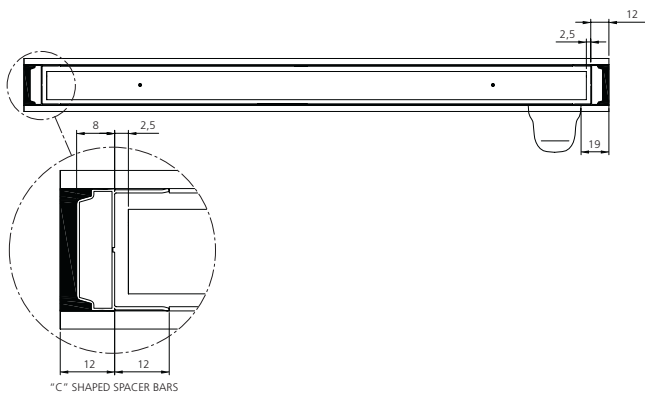
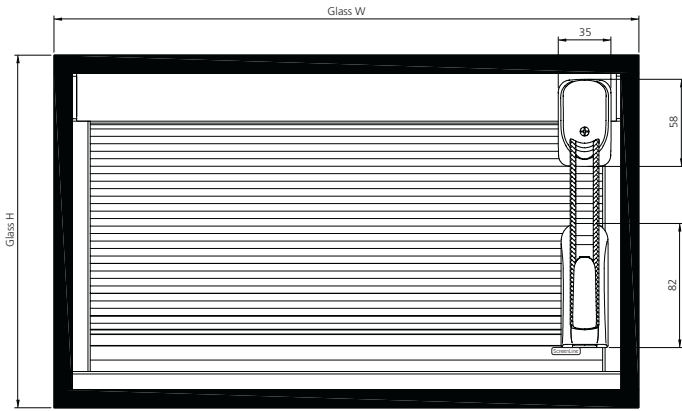


SL32C pleated duette double-glazed unit

SL27C pleated duette blind drawing with component codes



raising and lowering function



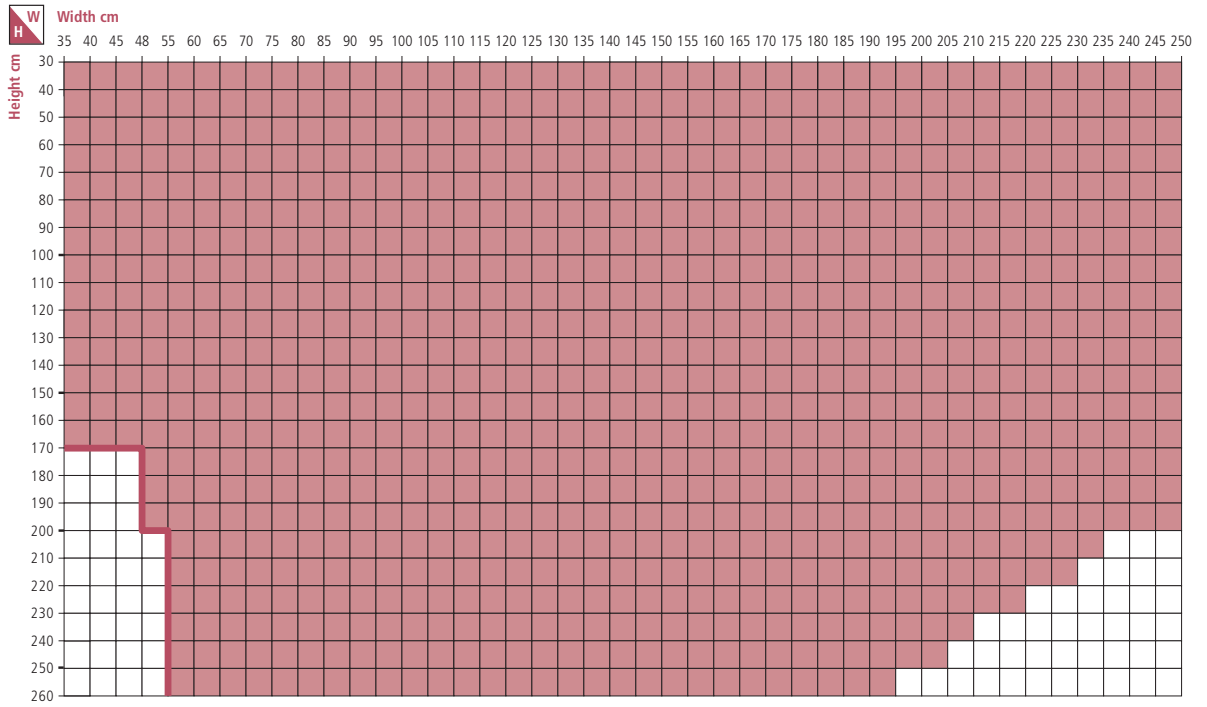
SL27C pleated duette double-glazed unit with cord operation

SL27C pleated duette double-glazed unit with external motor

SL27C duette

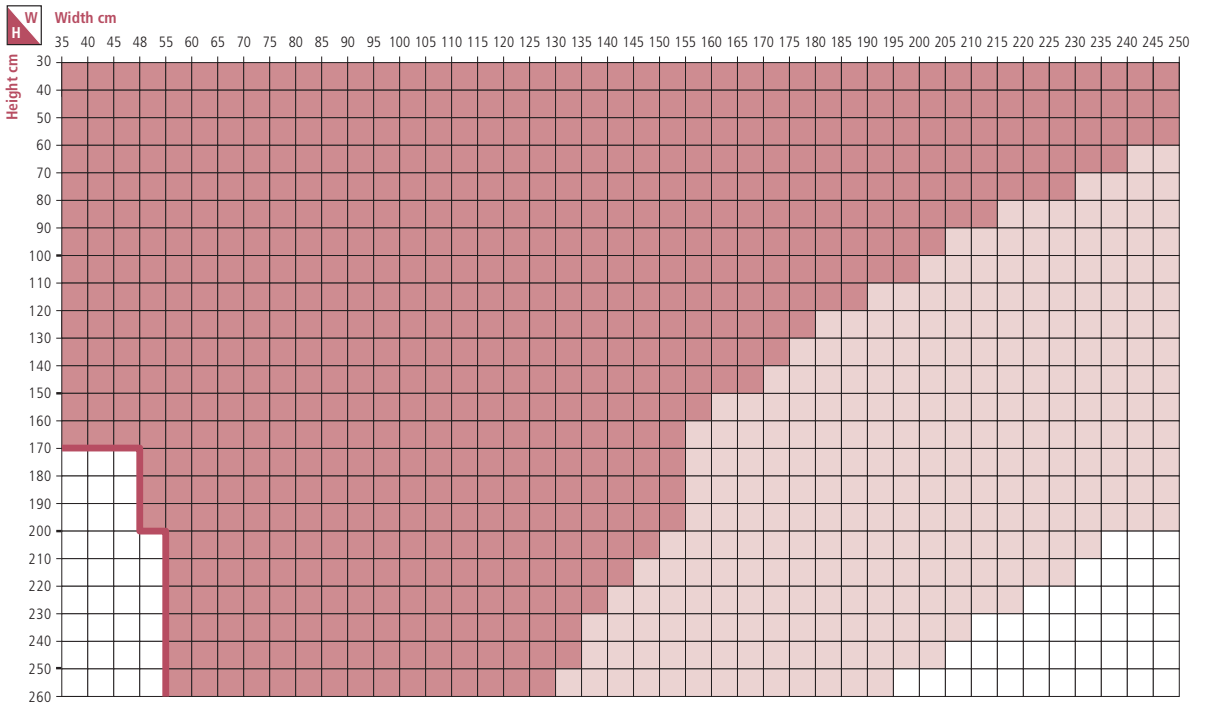
4
5

glass thickness **4 mm e 5 mm** Monolithic



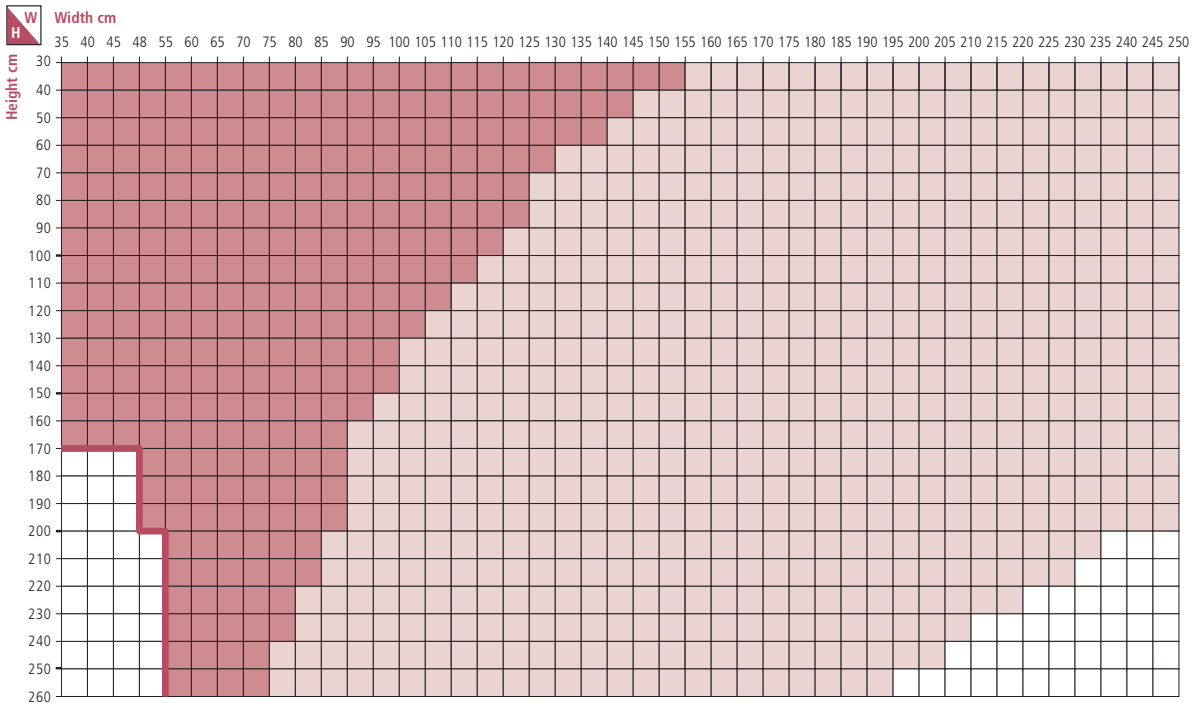
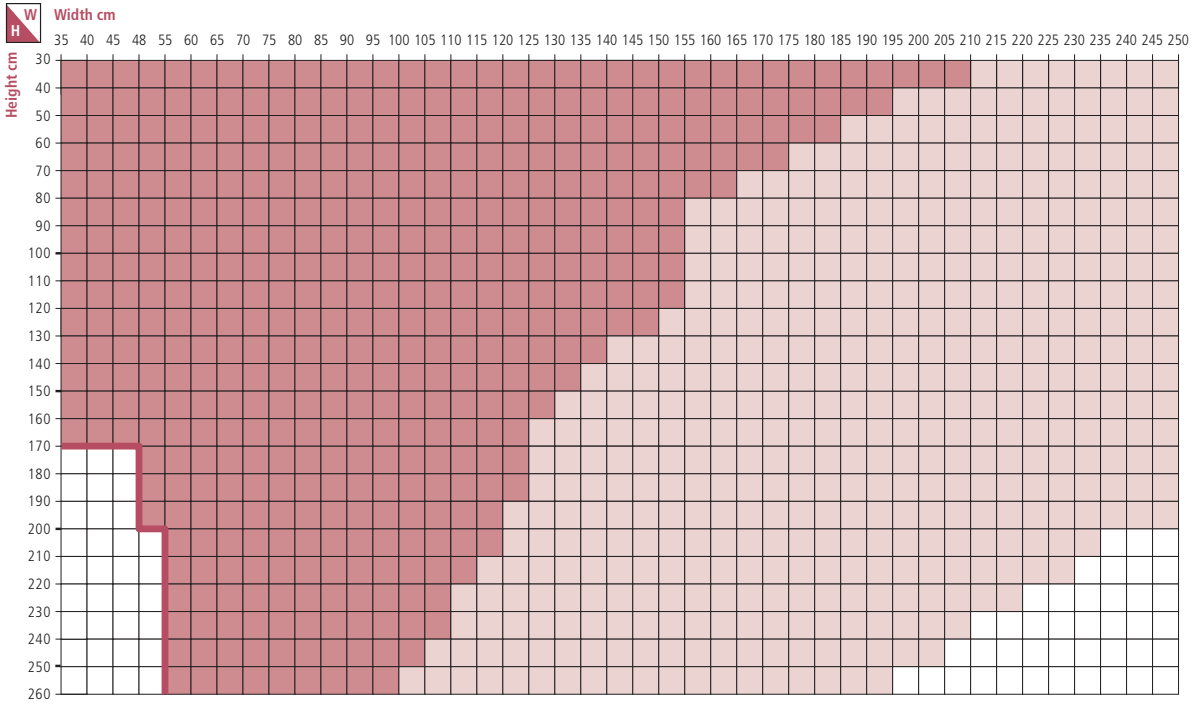
6

glass thickness **6 mm** Monolithic



- Raisable with standard speed System
- Raisable with reduced speed System
- Not feasible

3. feasibility

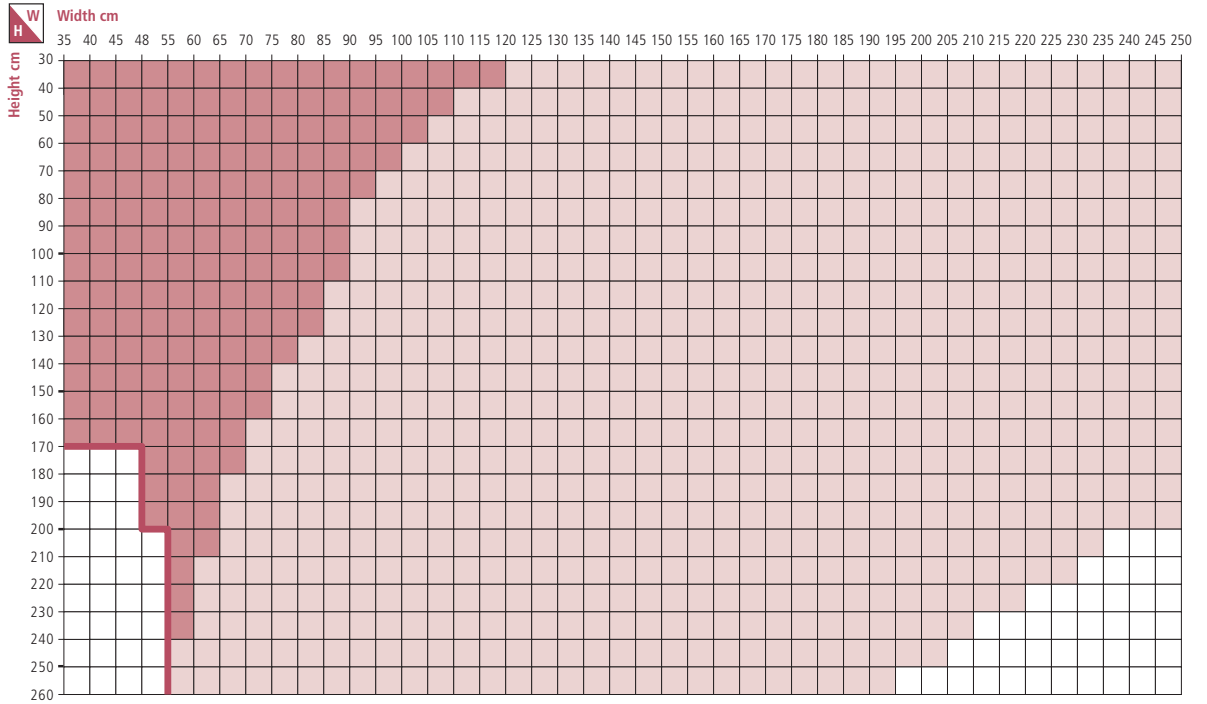


Raisable with standard speed System
 Raisable with reduced speed System
 Not feasible

SL27C duette

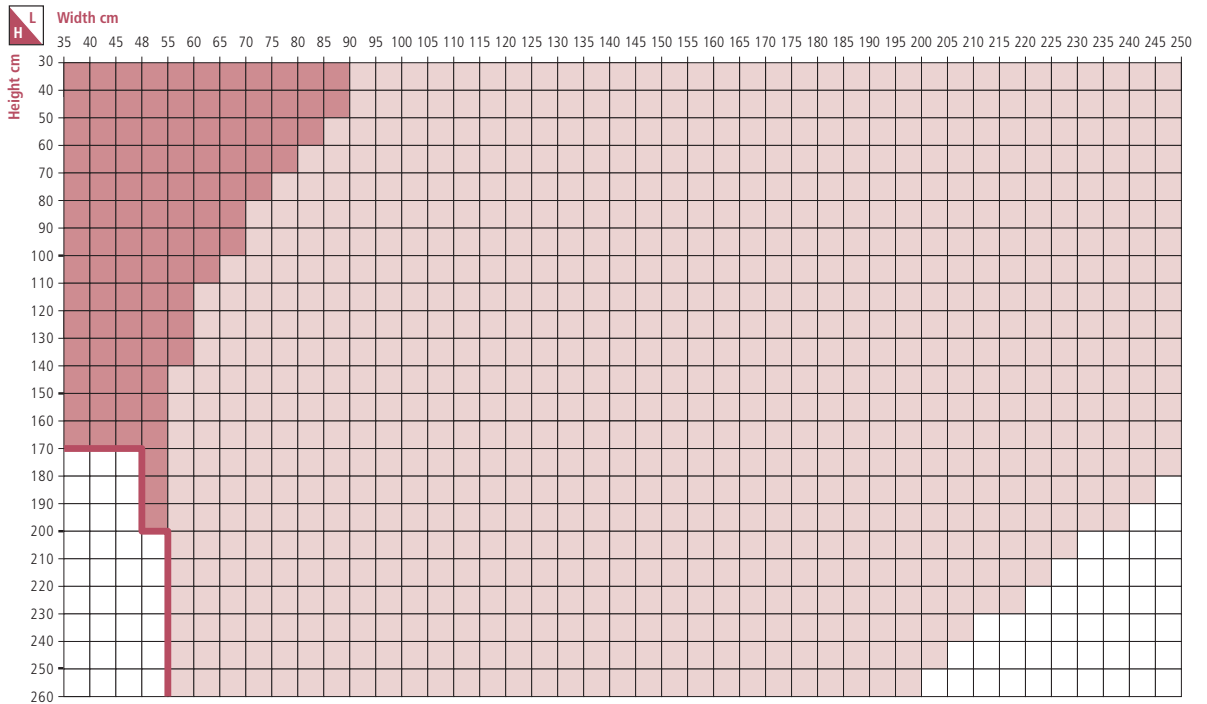
9

glass thickness **9 mm Laminated 44.1 44.2**



10

glass thickness **10 mm Monolithic**

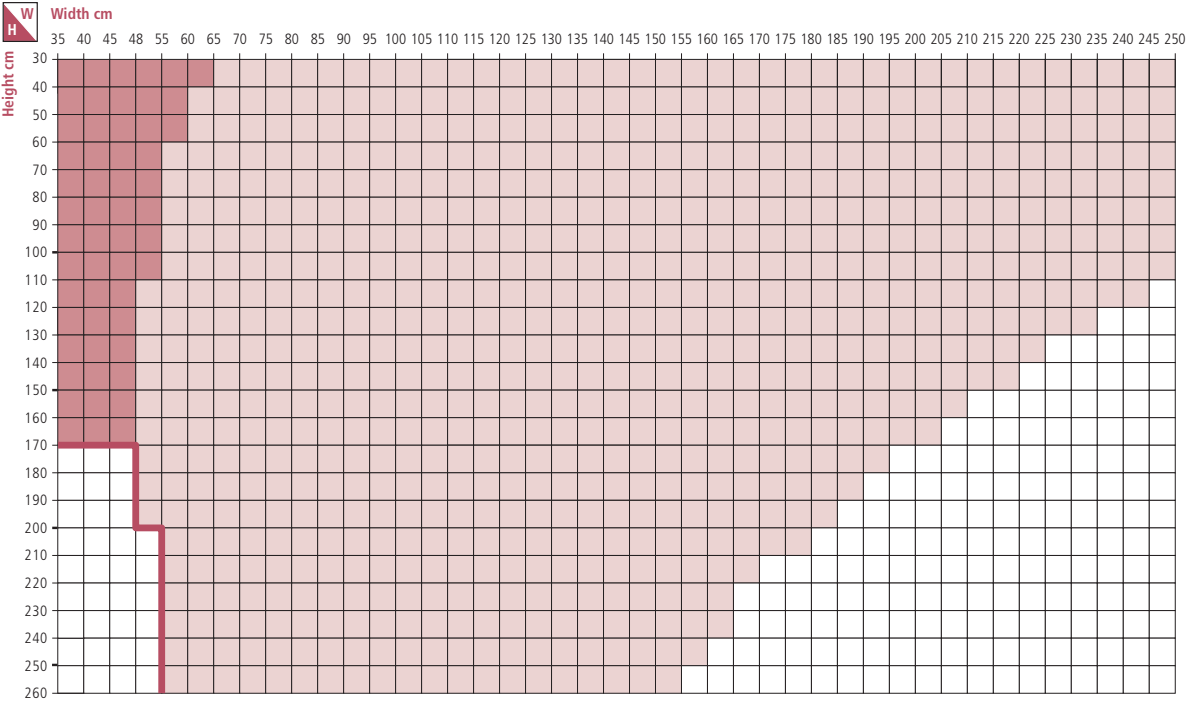


Raisable with standard speed System

Raisable with reduced speed System

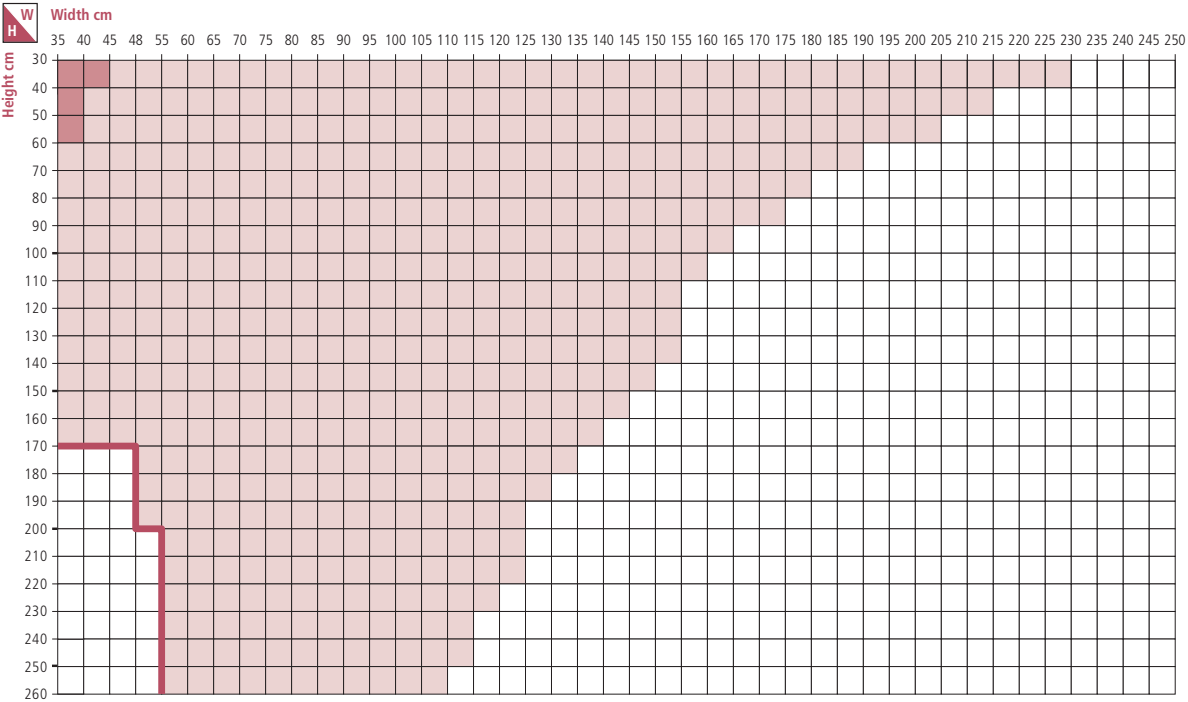
Not feasible

feasibility



11

glass thickness 11 mm Laminated 55.1 55.2 55.4



13

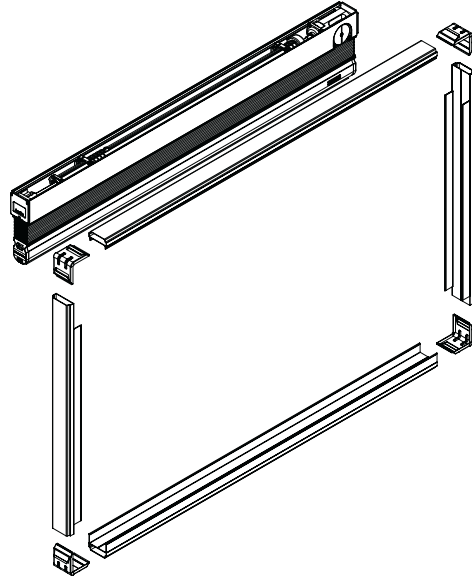
glass thickness 13 mm Laminated 66.1 66.2 66.4

Raisable with standard speed System
 Raisable with reduced speed System
 Not feasible

Screenline® kit components

On receipt of the goods, check the integrity of the package and confirm that the components are as detailed on the Purchase Order. The kit comprises: **A**

- pleated duette blind comprising a magnetic control system integrated inside the head rail.
- 3 No. bottom / sides (heights) C-profile spacer bar
- 1 No. top U-profile spacer bar
- 4 No. steel corner keys
- external magnetic control kit including aluminium centering base plate plus cord with cord tensioner, all with factory applied adhesive tape.



A composition kit

Assembly of the integral blind unit

Spacer bars preparation

Fill the appropriate side spacer bars with requisite amount of molecular sieve. **B**

Remove the plastic protective film from the blind / head-rail, align the head rail with the top spacer U-profile and clip together to form a mechanical bond on both sides. **C**

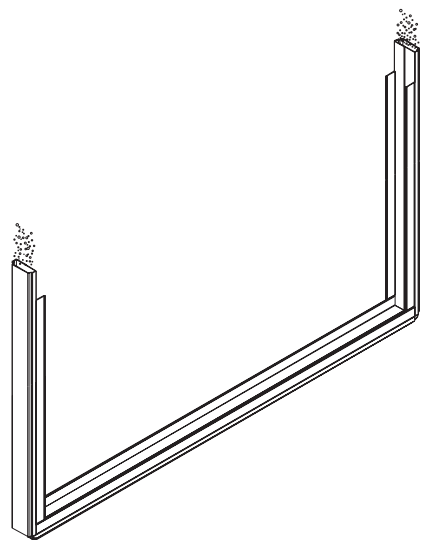
Assemble the spacer bar complete frame **D** ensuring that the fabric does not remain entrapped between head rail and spacer bars and extrude the butyl primary seal on the formed frame in a continuous line **E**, in accordance with EN-1279-2.

Line assembly

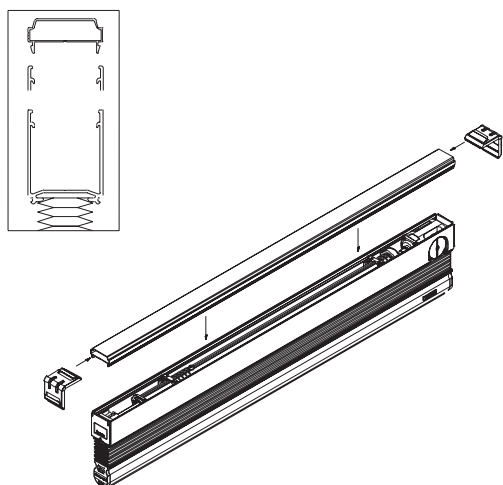
Pass the first glass through the washer either on its base or on its height.

Position the spacer frame uniformly on the glass ensuring it is perfectly parallel and square (avoid inwards deflection of the side spacer bars) and that the internal magnet faces the internal glass surface; press to obtain a high degree of adhesion.

Proceed with the assembling of the second glass and pass through the on-line pressing system. **F**



B molecular sieve filling



C top spacer bar assembly

Gas filling

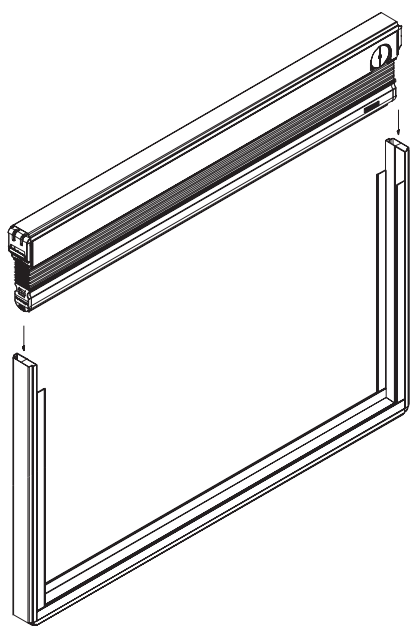
Following the approved procedure, replace the internal air with argon.

Testing

Prior to applying the final seal, test the blind function's correctly using the cord operated external magnetic device after positioning the double-glazed unit vertically with the blind head rail at the top. Ensure that the movement of the blind occurs freely and that the bottom rail lies parallel on the bottom spacer bar. At the end of this procedure, raise the blind completely to the top.

Second sealing

Raise the blind completely and apply the final secondary seal in accordance with EN1279-2. **G**



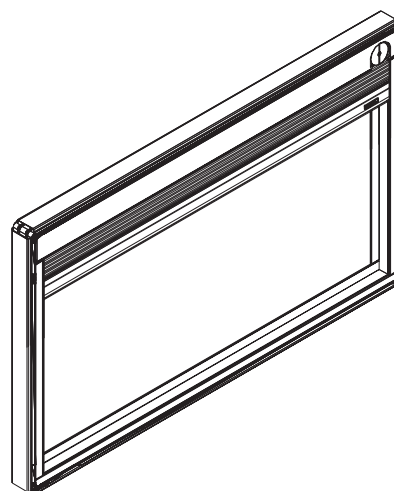
D blind insertion inside the spacer bars

Note

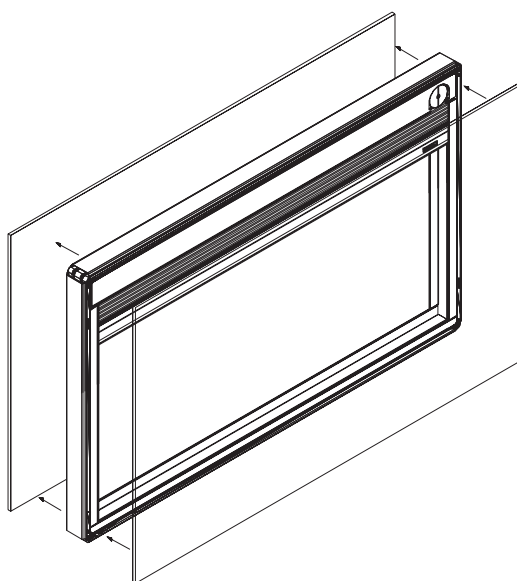
It is essential that the unit is maintained in a vertical position while the blind is partially or completely lowered. Always ensure that the blind is completely raised when turning the unit. The external magnet and cord tensioner should be applied to the glass surface after glazing (see instruction in the *ScreenLine® Technical Catalogue*). Again ensuring that the glass surface is cleaned correctly to obtain good adhesion. The centering base plate should be factory applied so that on-site fitting of the external magnet ensures correct alignment of the internal and external magnets. The glass surface should be cleaned prior to adhesion.

Transport and Storage

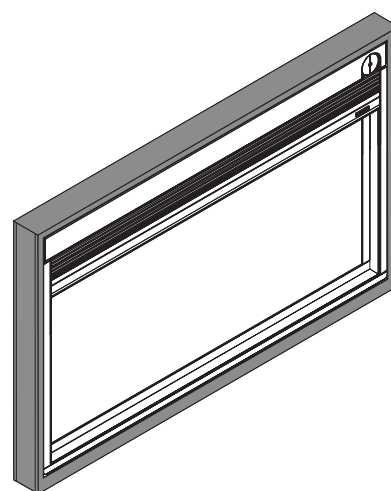
For transport and storage procedure please check the recommendations contained in the relevant part of the **ScreenLine® Technical Catalogue**.



E first seal application



F glass assembling



G double-glazed unit second seal application

5. Pellini® general sale terms and conditions

1. OVERALL The general sale terms and conditions specified below ("General Sale Terms and Conditions"), are an integrated part of the order and/or order confirmation regarding the products and/or services ("Order" and "Order Confirmation") submitted to and supplied by Pellini S.p.A. ("Company"). Therefore the order is accepted by the company and placed by the purchaser ("Purchaser") in compliance with the General Terms which - unless otherwise agreed and undersigned by the Company - must be deemed to prevail over the various clauses and conditions referred to by the Purchaser.

2. TRADEMARKS AND PATENTS The Company is the sole owner, or licensee in force of regular contracts, of all the rights of industrial property relative to the trademarks placed on the products constituting the object of the Order ("Products") and of all the patents in force of which the Products have been manufactured. The Purchaser is in no way authorized to remove the trademarks of the Company from the Products, to replace them with other trademarks nor to add trademarks and/or other distinctive signs other than those owned by the Company.

3. PRODUCTS OWNERSHIP The ownership of the Products, even after supply has taken place, resides with the Company until the aforementioned company account has been settled by the Purchaser the entire payment of all the invoices relative to the Products delivered to the purchaser according to that provided for by art. 6 shown below.

4. PRICES Prices are those specified in the Order or, if different, those specified by the Company in the Order Confirmation which are set based on the costs relative to materials, manufacturing or any other cost known to the Company on the date of the Order Confirmation. Should the Company decide to increase prices owing to increases recorded in such costs following that date, the Company will have to notify the Purchaser of the new prices, by registered letter or in writing, within 15 (fifteen) days after the date of the Order or, if subsequent, of the Order Confirmation. In this case, the new price will be deemed constituting the price of the Order, namely of the part of the order to be processed. If the new Price exceeds the previous one by over 10%, the Purchaser will be entitled to cancel the Order, namely the part of it still unprocessed by notifying such decision to the Company by written notice, possibly by registered letter, ahead of the Products shipment and, in any case, within and not later than 14 (fourteen) days after the date of forwarding of the price increase notice. Unless agreed otherwise in writing, the prices quoted by the Company are expressed in Euro and do not cover freight charges, insurance, loading and unloading of the Products and VAT or any other taxation, levies or duties and are ex works of the Company and delivered in standard packing.

5. PACKING, FREIGHT AND INSURANCE - RISKS CHARGES Charges for standard packing of the Products are met by the company, while charges for special packing (e.g. pallets or wooden crates in case of shipment) are charged to the Purchaser.

Freight charges of the Products through the forwarding company chosen by the Company and advanced by the same will be charged to the Purchaser in the invoice unless otherwise agreed. The Purchaser is also bound to pay to the Company an extra amount on the total amount of the Products specified in the invoice to meet with the expenses faced by the latter for insurance purposes. Freight charges of the Products are charged to the Purchaser who, within 3 (three) days after receipt, must inform the Company about any defect, damage, theft, shortage and delays occurred during the transport in order for the latter to file a complaint and formulate the necessary actions against either the forwarding company or the insurance company.

6. PAYMENT TERMS The price of the Products will have to be paid by the Purchaser to the Company within the deadline indicated in the sale invoices issued by the latter. 14 (fourteen) days having elapsed from the date of payment, the Company will be empowered to issue a sight draft to obtain the due amount alongside the interests for delayed payment which amounts to that provided for by art. 5 of the decree 9.10.2002 no. 231. The company reserves the right to claim damages, if any.

7. BREACH OF THE PURCHASER The Purchaser who does not settle the payment within the agreed terms, will be held in default albeit he/she will not have received any default notice. In the case of default by the Purchaser to pay the purchase price of the Products to the Company, according to what provided for by the art. 6 mentioned above, the Company reserves the right to cancel the Orders entirely or partly or to suspend delivery of the outgoing Products bound to the Purchaser's warehouse, even without issuing a default or injunction notice to the Purchaser, and is subject, anyway, to compensation for damage.

Should the Order refer to more deliveries, with regard to which the Company has issued more invoices, the delayed payment from the Purchaser - even if by one day only - of such invoices - or even one of them only - authorizes the Company to suspend finally later deliveries of the Products. In addition the Company will also be entitled to cancel an Order or to suspend partly or entirely the supply of the Products to the Purchaser, should a change in the financial and economic conditions of the same occur, such that his/her solvency guarantee is reduced. If the Purchaser is declared bankrupt, declares shutting down or ceases anyway to exist, or undergoes restraint or seizure of his/her property, the Company will be entitled to delay or cancel future deliveries, if any, and/or to back out of any contract without losing the right to be paid the full purchase price of the Products. The credit collection charges faced by the Company - both during the course of court proceedings and out of Court proceedings - including the fees charged by the Italian Lawyers, set by the Ordine degli Avvocati (Association of Italian Lawyers), will be charged entirely to the Purchaser. The Purchaser will not be entitled to withhold or compensate any payment by an alleged credit towards the Company.

8. SITE OF DELIVERY OF THE PRODUCTS The site of delivery of the Products is the factory of the company, based in Italy at Codogno (LO), Via Fusari, 19 ("Factory").

9. PRODUCTS DELIVERY TERMS Whereas the delivery of the Products is subordinate to the availability of the same at the Factory, the Company will do everything in its capacity to deliver the Products within the delivery terms agreed in the Order or, if different, in the Order Confirmation. Such terms, however, are approximate and not imperative. In case of delay, therefore, the Company will not be liable for breach of contract. Should a given delivery term have been agreed, the Purchaser will have to allow a proper extension - in any case not less than 30 (thirty) days - in order for the Company to fulfil its obligations. Only in case the agreed extension timeframe should be exceeded, will the Company be liable for breach of contract. Unless agreed otherwise in writing, the Company is entitled to carry out the delivery of the Products in instalments.

SL27C duette

SL32C duette

10. FORCE MAJEURE Should the Company be faced with the impossibility to carry out the delivery within the agreed terms, due to circumstances beyond its control such as, by way of illustration and not exhaustive: war, governmental restrictions, strikes or lockouts, work force demonstrations or other general or local events; fire, floods, explosions, natural catastrophes, or any other acts of God owing to which the Products have been damaged and/or destroyed or any event which, be that as it may, may cause problems to the Company in terms of manufacturing, delivery or supply of the Products, the Company, without obligation to provide explanations to the Purchaser, will be entitled to cancel all and/or part of the Order, while doing everything in its capacity to inform the Purchaser as soon as possible. It remains that, in these cases, the Purchaser will not be entitled to require any reimbursement from the Company as compensation for the damage, if any, suffered by the Purchaser and/or by third parties owing to the cancellation of the Order by the Company.

11. ORDER VARIATIONS, CHANGES AND CANCELLATIONS The Order of the Products is irrevocably confirmed by the Purchaser.

Barring what provided for by the art. 4 aforementioned, any changes or cancellations of the Order from the Purchaser and expressly authorized by the Company, will have to be communicated in writing to the latter by registered letter within, and at the latest, 10 (ten) days after the date of issuing of the Order.

12. NON COLLECTION OF THE PRODUCTS FROM THE PURCHASER Should the Purchaser not collect the purchased Products delivered to destination, the Company will be entitled, at its own discretion, to: (I) demand the settlement of the payment and leave the Products at the Purchaser's disposal; (II) proceed to the sale of the Products to third parties, without amendments or any other sort of measures having to be taken by the Legal Authorities. It remains that any stoppage dues arising from the non collection of the goods at the forwarding company, handling and freight charges applying to the Products are charged to the Purchaser. Should the Purchaser have difficulty in accepting the delivery for a period of time longer than 14 (fourteen) days, the Company will be entitled to back out of the contract. In any case, it is agreed that the Company is fully entitled to compensation for the damage suffered.

13. PRODUCTS WARRANTY AND COMPLAINTS All the Products supplied by the Company are guaranteed against production faults provided they are handled in compliance with correct procedures. The Purchaser is obliged to inspect the goods delivered upon receipt of the same. Complaints, if any, about Product faults are to be communicated to the Company by means of registered letter - or anyway in writing - : (I) in case of manifest faults, within and not later than 5 (five) days after receipt of the Products; (II) in case of hidden faults, within and not later than 8 (eight) days after ascertaining the fault and, however, not later than 30 (thirty) days after delivery of the Products. The above being stated, no complaint can be made unless judicially exerted by way of action or plea, within 3 (three) months after receipt of the single batches of Products. However complaints are to be provided with all the evidence necessary to their documentation. Inadequate information in this regard might cause delays to the Company to settle the complaint. It is agreed that, should this be the case, the Company will not be liable for such delays. Complaints regarding Products having been cut, used and/or processed after the delivery, will be rejected, except when faults other than production faults could not be detected before the processing of the goods. Complaints regarding the processing expenses of the delivered goods will be rejected. Differences of the Products from what specified in the Order or, if different, in the Order Confirmation with reference to quality, quantity, width, colours, finishes, size and the like, which stand for variations commonly accepted in the commercial practice or technically inevitable, will not be considered valid reasons for lodging complaints. The Purchaser is not entitled to give back the Products or refuse the delivery unless through written authorization of the Company. Being agreed that, in no way, will the complaints authorize the Purchaser to suspend or delay the payment of the invoices relative to the Products. Should the grounds of the complaint be conventionally or legally acknowledged and should it not be settled with the Company granting a discount on the purchase price of the Products, the Purchaser will be entitled to ask the Company to be reimbursed exclusively the price of all the defective Products as per the relative invoice. The Company will be entitled to choose, at its own discretion and upon return of the defective Products, whether (I) to replace the Products with other flawless Products or (II) to reimburse to the Purchaser the price paid by the latter for the defective Products. Being agreed, in any case, that the Purchaser will waive any claim of reimbursement for any direct or consequential damage that might arise. The Purchaser will further have to protect the Company against any possible complaint from third parties regarding goods or services supplied by the Company.

14. RETURNED GOODS In no way will the Purchaser be entitled to return the Products purchased and duly delivered by the Company, without written authorization of the Company.

Should such authorization be granted, the Purchaser, however, will have to specify the goods return authorization number provided by the Company in the forwarding note, upon express request of the Purchaser. The Products returned will have to be intact and in perfect conditions. Should the Products turn out damaged, the Company reserves the right, in its sole discretion, to: (I) reject the return of the Products; or (II) to charge the Purchaser with the cost of the Products and/or of all the steps required to their fixing. Forwarding of the returned goods will have to be free port at the Factory.

15. GOVERNING LAW AND PLACE OF JURISDICTION All the contracts executed by the Company will be governed by the laws in force in Italy except for the Vienna Convention on International Trade. For all disputes that should arise with regard to the contracts executed by the Company, in the first instance the Court of Lodi, Italy, will be the sole place of jurisdiction, being agreed that the Company is entitled to take legal measures against the Purchaser before the competent Court of the place of residence of the Purchaser or before any other competent Court.

- ScreenLine® is a Pellini S.p.A. product.
- The ScreenLine® Technical Catalogue / Price List is the exclusive property of Pellini S.p.A.
- Pellini S.p.A. reserves the right to modify or alter the contents of the Technical Catalogue / Price List without notice, and therefore the content must be considered as indicative and not binding.