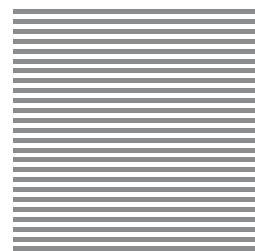


SL27M plissé

PLEATED BLIND



ScreenLine®

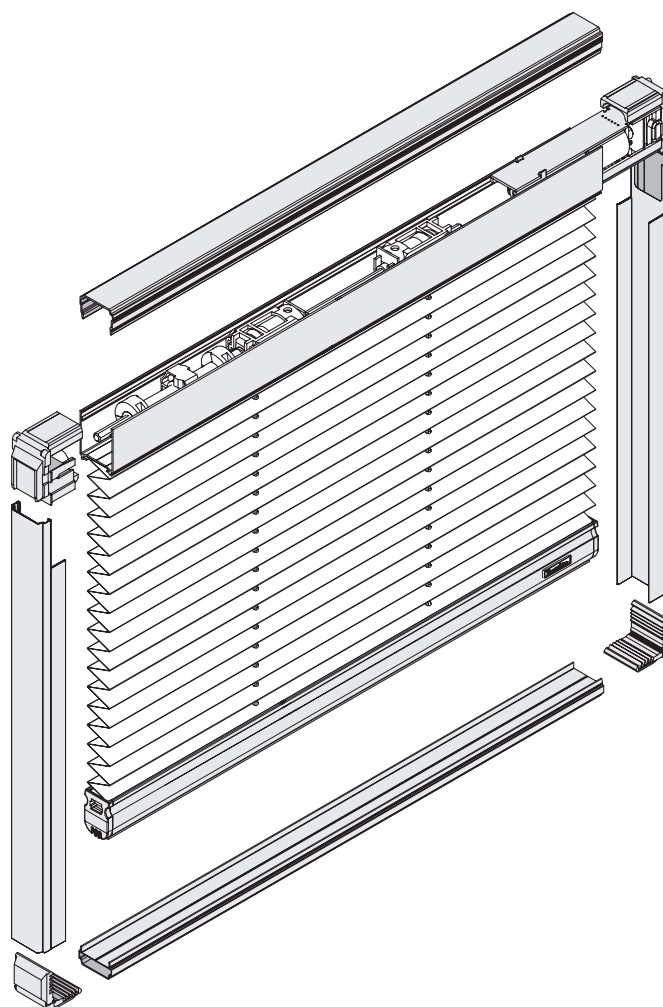
ScreenLine

Technical Catalogue

english

double-glazed unit 27 mm

SL27M plissé



The ScreenLine® SL27M pleated blind with motor inside the head rail for incorporation within a double-glazed unit, is manufactured in accordance with high technical specification and production standards.

The blind raising / lowering functions are achieved by way of an encoder motor that permits a constant speed resulting in a guaranteed synchronized function for multiple blinds. Special software determines the setting of blinds end stops, by a process of self-learning.

The motor has two speeds. The blind slows before reaching the top and bottom limits in order to avoid excessive stress on the cords and to guarantee a longer life to the components. The faster speed allows quicker raising and lowering. The motor and the entire electronic blind management system are positioned within the head rail, on a specially designed slide incorporating a shock absorber system to reduce any vibration and significantly reducing any “noise” effect. The slide is also equipped with a specially integrated electric socket with a snap-in connector to the spacer bar allowing connection to the external power supply, thereby maintaining a complete hermetic seal to the unit.

The electric system incorporates a polarity inverter allowing the raise and lower function of all the connected blinds to be fully synchronized using only two wires.

1. technical features

A mechanical end-stop incorporated within the head-rail, ensures a safety stop of the blind in the lower position. The entire kit is contained within the spacer bar frame thereby ensuring the hermetic seal of the unit.

Height	300 ~ 2.500 mm
Width	420 (320 with double head rail system) ~ 2.200 mm
Maximum area	5,5 sqm
Blind stack height	1% blind height + 65 mm (+ 95 con with double head rail)

Motor groups

24V dc power supply, maximum absorption: 400mA.

Operation speed: 45 rpm.

Torque: 1 Nm

Motor

F class winding (155°C); brushes in 50% CU, 47% C, 3% MoS₂; diamond finished commutator.

Reducer

Planetary 4 steps-reducer. Completely manufactured in steel. Cogged gears, external broached rim, planetary supports with guide rollers, double bearings in output.

Ratio: 270:1.

Encoder

Magnetic encoder in Neodymium, with a very high magnetic field with a resistance strength up to 120°C. Fixed firmly on the motor shaft via a brass ring.

Electronic card

Manufactured from standard industrial components. Operating range (-20°C + 100 °C) and controls the encoder, the speed limiter and the motor safety function.

Head rail

Extruded aluminium, A6063S-T5 alloy.

Dimensions: width 27 mm, height 34 mm.

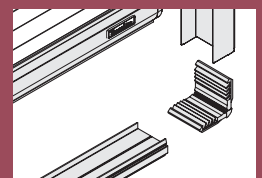
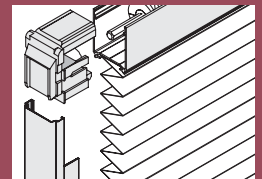
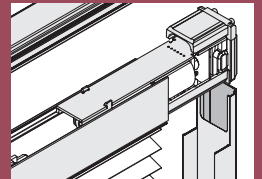
High-resistance polyester paint. Available colours: aluminium grey, white and beige.

Verosol® fabric

Woven polyester fabric, 20 mm pleat, with an aluminium microfilm applied through an exclusive vacuum technique (three-chamber system). The microfilm adhesion complies with the EN-ISO 7523 regulations and the fabric is Class 1 (one) Flame-Retardant. Colours available: 6.

Vanity fabric

Woven polyester fabric, 20 mm pleat, non flame retardant, not metallised. Colours available: 2.



SL27M plissé

PLEATED BLIND

Performance characteristic of the Verosol® fabric

Pleated Verosol® Fabric	Solar reflection %	Light reflection %	Solar absorbing %	Solar transmission %	Light transmission %
812	71	66	20	9	9
816	52	50	28	20	22
878	74	74	21	5	5

Performance characteristic of the Vanity fabric

Pleated Vanity Fabric	Light reflection %	Light absorbing %	Light transmission %
White C000	46	4	51
Cream C010	40	13	46

Bottom rail

Extruded aluminium A6063S-T5 alloy.

Dimensions: width 20 mm, height 30 mm.

Manufactured in two interlocking profiles.

Powder coated to colour aluminium grey, white or beige.

Internal cord

Thermo-fixed 100% polyester internal cord, with excellent dimensional stability. 1.4 mm diameter – colour white. High resistance performance and very little shrinkage effects at high temperature.

Spacer bar

Extruded aluminium; Dimension 27 x 8 mm.

Upper: extruded open spacer bar 27 x 8 mm.

Lower: extruded "U" shaped spacer bar with 4,2 mm clipping projection.

Sides: "C" shaped side spacer bar 27 x 8 mm with 12 mm projection.

Control accessories

Control unit

For use in the application of centralization of several blinds or bus control.

It is possible to connect a maximum of 4 blinds. Available connections: input power supply (24V dc) manual switch, remote control connection and remote connection to other control units if required, and output to motor. Due to its small dimensions (40x40x20 mm) it can be easily contained in the surface or wall mounted back box. Equipped with internal safety fuse 6,3 A.

Power supply

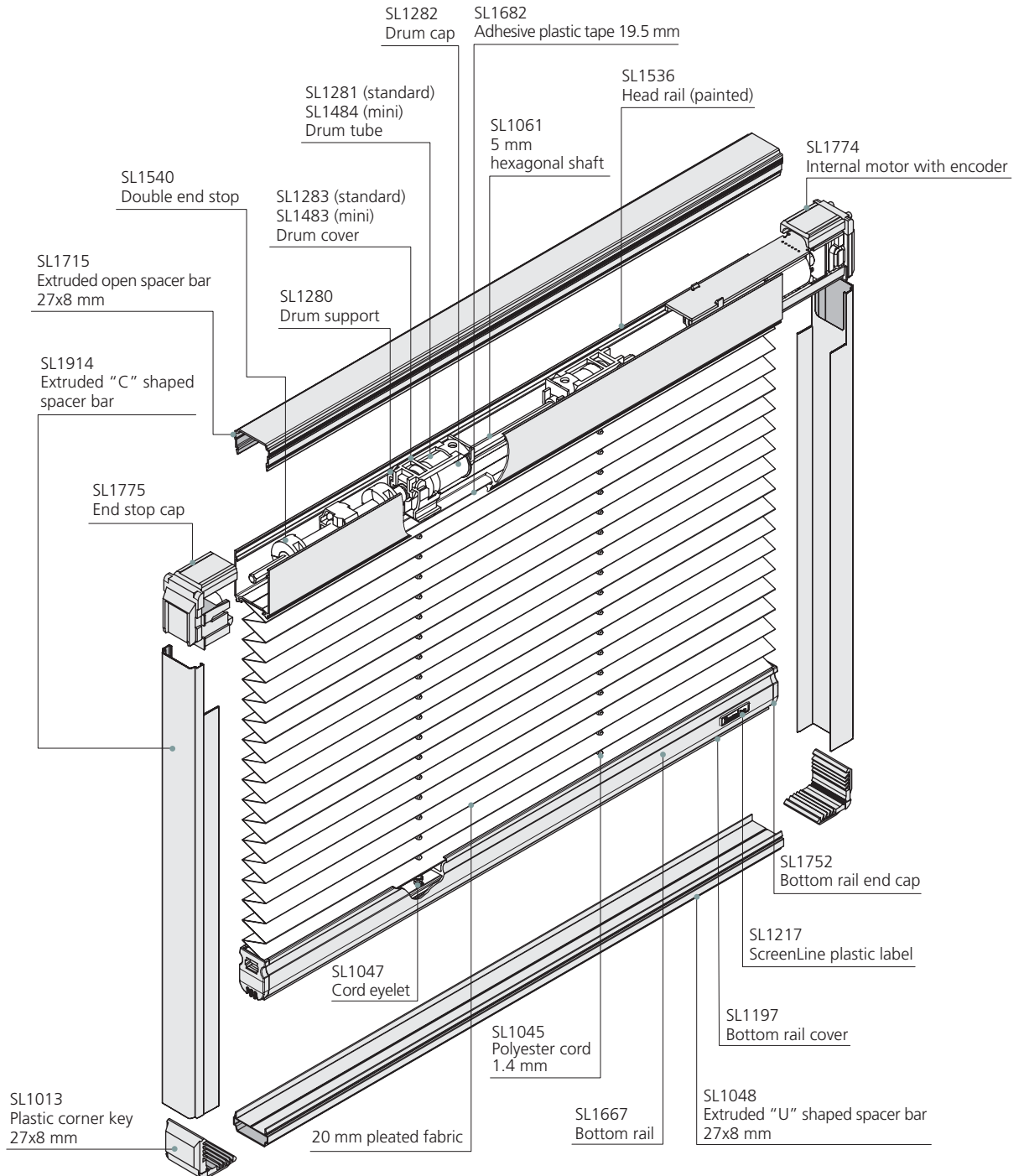
Input 230V AC / output 24V DC +/- 5%, 2A. Protection fuse 3,15 A delayed, for maximum 4 blinds.

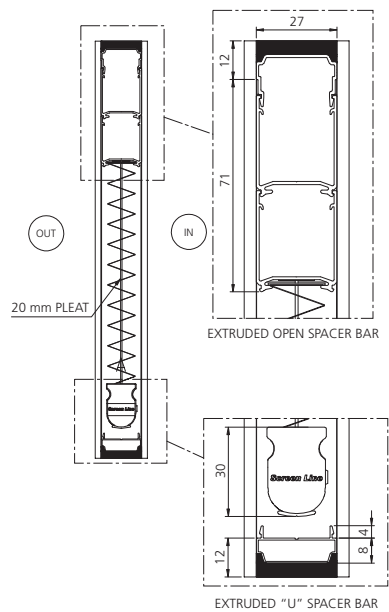
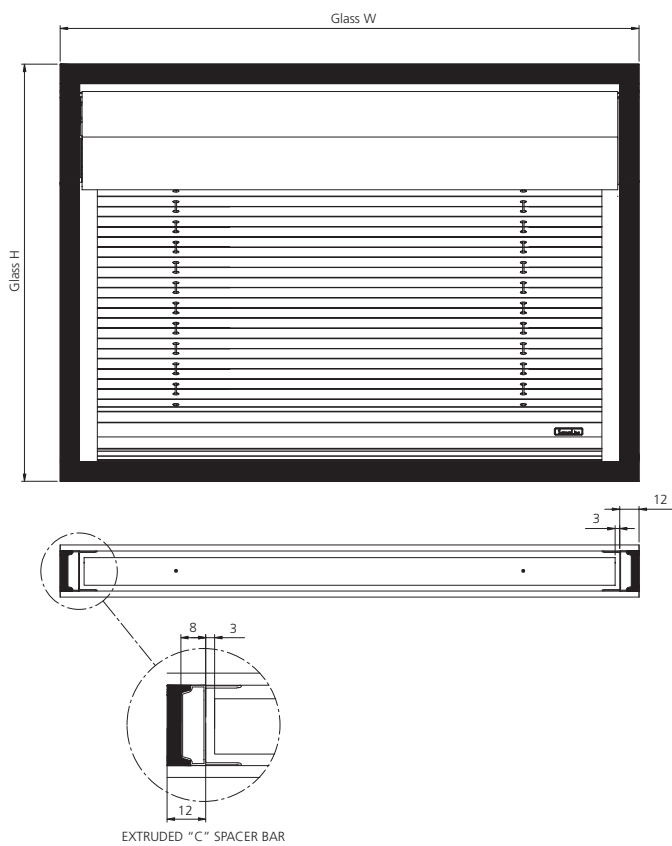
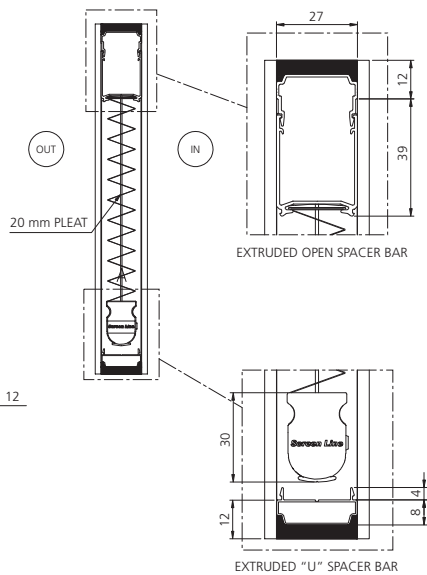
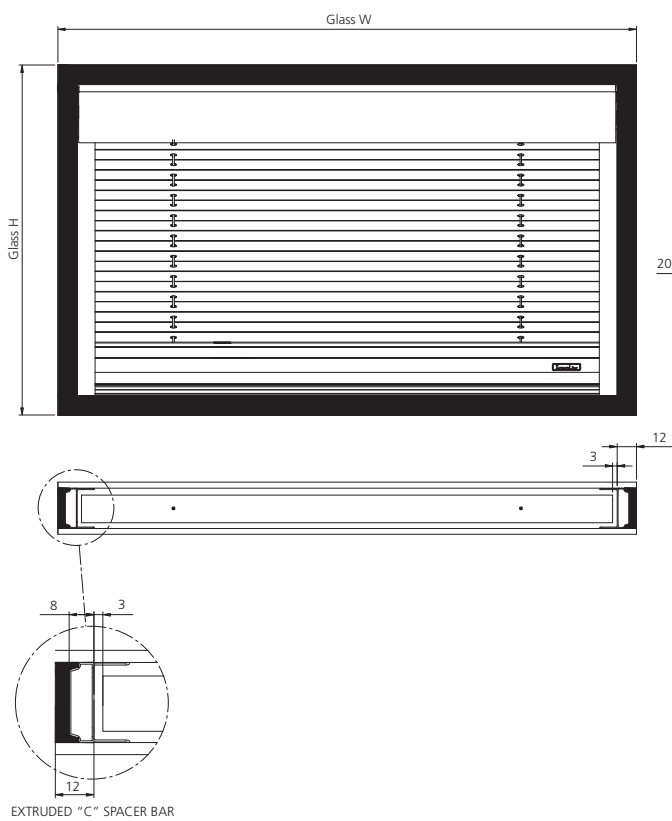
Dimensions: 110 (130 mm with fixing projections) x85x50 mm (height)

SL27M plissé

2. technical drawings

comprehensive drawing with component codes

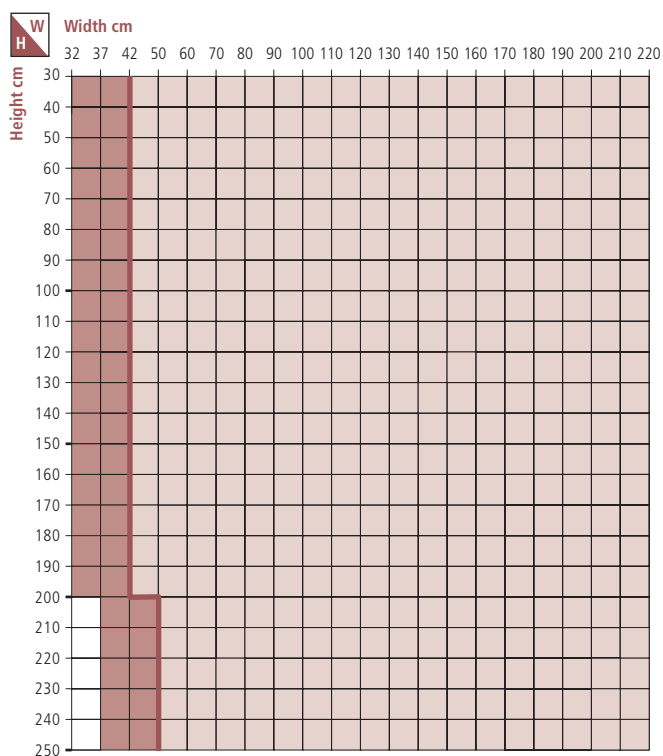




SL27M plissé

3. feasibility

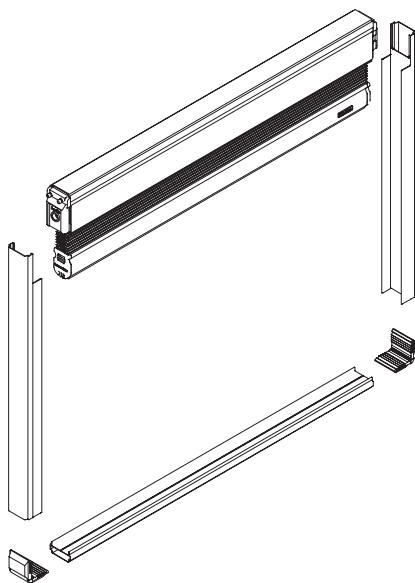
dimensions for double glazing



Standard
(or double head rail)

Only double head rail

Not feasible



A kit composition

ScreenLine® kit components

On receipt of the goods, check the integrity of the package and confirm that the components are as detailed on the Purchase Order. The kit comprises: **A**

- pleated blind with corner keys assembled to the upper spacer bar
- 2 No. C profile spacer bars (height)
- 1 No. bottom U profile spacer bar (width)
- 2 No. plastic corner keys
- 2 No. screws
- 1 Metre dual polarity cable with ring connectors attached

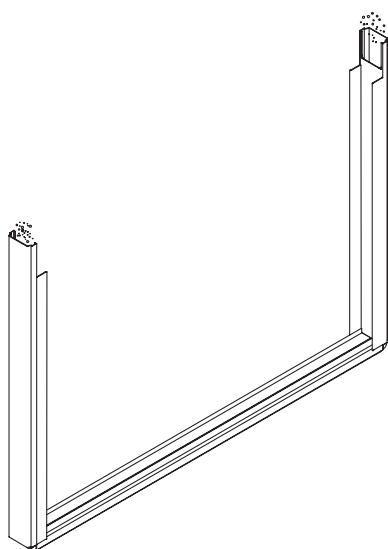
Assembly of the integral blind unit

Spacer bars preparation

Fill the appropriate side-spacer bars with requisite amount of molecular sieve. It is recommended to insert the corner key into the bottom of each side spacer bar, fill them with the molecular sieve and “block” the open end with butyl (or fibres), to avoid any loss of sieve during further operations. Assemble them with the bottom spacer bar. **B**

Extrude the butyl primary seal both on the assembled blind / upper spacer bar and then on the rest of the spacers forming the frame. **C**

During this operation, it is recommended great care is taken with the integral blind, in order to avoid any dirt or damage of the fabric. Assemble all the spacer bars to form the complete spacer frame. **D** Ensure continuity of the butyl seal - particularly at the corner keys.



B spacer bars - glass assembly

Line assembly

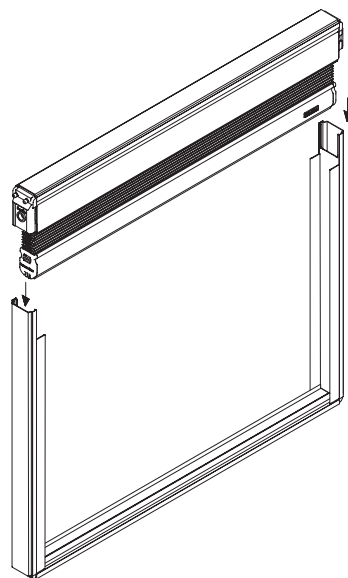
Pass the first glass through the washer either on its base or on its height. Position the assembled kit on the first glass, ensuring that the head rail is on the top or on one side. During this operation, it is recommended great care is taken with the integral blind, in order to avoid any dirt or damage to the fabric. Position the spacer frame uniformly on the glass ensuring it is perfectly parallel and square (avoiding any inwards deflection of the side spacer bars) and press to obtain a high degree of adhesion. Proceed with the assembly of the second glass and pass through the on-line pressing system. **E**

Gas filling

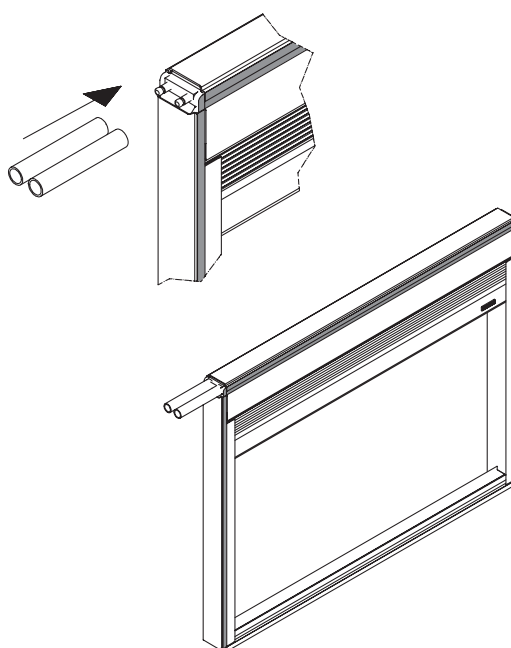
Using the appropriate equipment and in accordance with the standard procedure replace the internal air with argon.

Testing

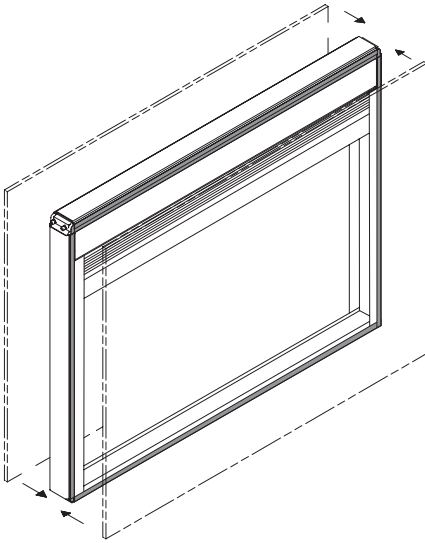
After the press operation but prior to applying the final seal, test the blind function's using the appropriate power supply / switch - ensuring that the double-glazed unit is positioned vertically with the blind head rail at the top. Check that the bottom rail reaches the lower spacer bar. We do not recommend other kinds of electrical devices as power supplier or control. At the end of the test, raise the blind completely to the top, and insert the silicon tubes to protect the contacts /connectors from secondary sealant.



C first sealing applying



D blind insertion on the spacer bars



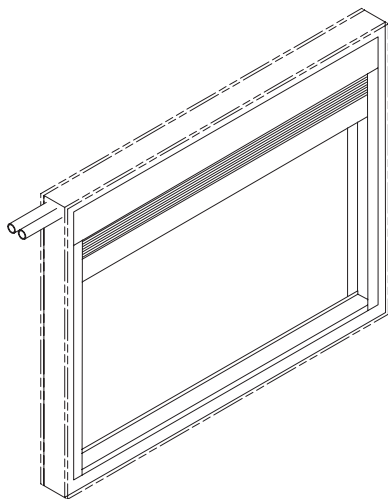
E glass assembly

Second sealing

Raise the blind completely apply the final seal in accordance with EN1279-2 regulation. **F**

The secondary sealant should be applied ensuring that the area around the silicone tubes is completely filled either by the automatic sealing machine or by hand. The silicon tubes should remain straight and not damaged.

Where the final seal is applied horizontally any glass deflection should be corrected by equalisation after curing i.e. the glass surfaces should be parallel particularly in the centre. After the polymerisation of the second seal, the protective silicon tubes can be removed by pulling them off horizontally. **G**



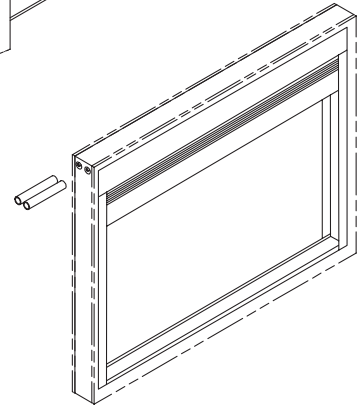
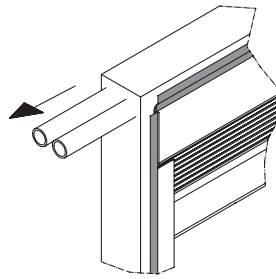
F double-glazed unit
second sealing

Notes

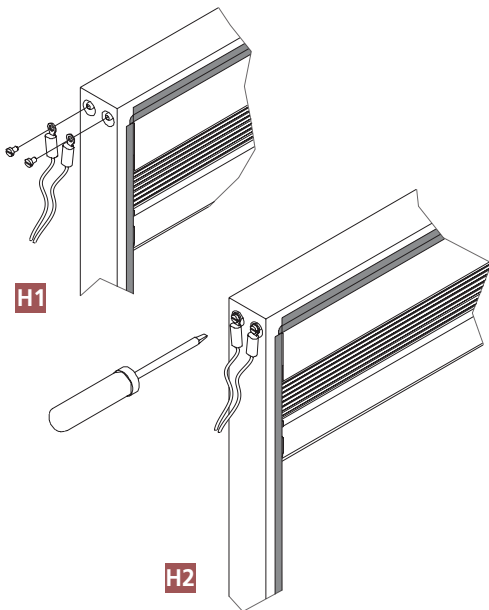
1. Position the double glazed unit on the stillage: the unit must be transported with the head rail at the top; where this is not possible, lie the unit on its longer side with the blind vertical and completely raised.
2. During glazing ensure the integrated unit is perfectly vertical in the frame in order to avoid any friction between bottom rail and glass surface during raising and lowering.

Transport and Storage

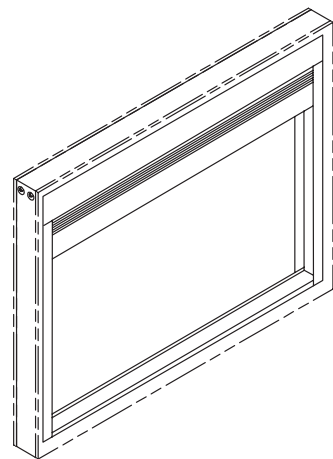
For transport and storage procedures please check the recommendations contained in the relevant part of the ScreenLine® Technical Catalogue.



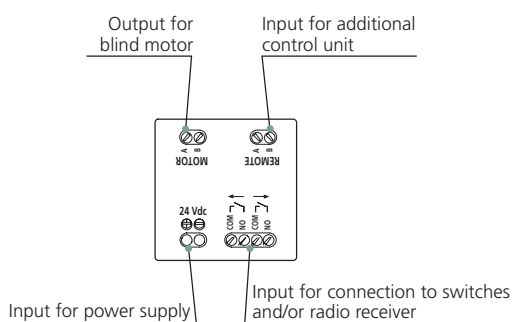
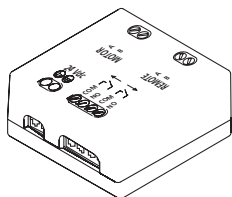
G removal of the silicon tubes



In this way, the electric contacts will be immediately ready to be connected to the external power supply line. **H**



H electric connection



SL1807 Control unit

This unit is used to control the polarity inversion necessary for the correct function of the motor, which would not be realised when using normal switches.

Each control unit can control one blind, or can simultaneously control a group of up to four blinds, depending on the requirements of the system.

The limited dimensions of the unit allow its insertion inside the standard electrical back box.

It comprises an electronic card equipped with a protection fuse that can be easily replaced.

Technical features

Dimensions (mm)

40x40x20

Input

- Supply, marked as **24V dc**
- Connection to the double switch or to the radio receiver, marked by a contact graphic
- Connection from another control unit, marked as **REMOTE**; this is used only for centralised connections to other groups (see note below)

Output

- Connection to the blind motor or to a bus line for connection towards other control units; marked as **MOTOR**

Fuse

6,3 A

Working temperature

-20 +60°C

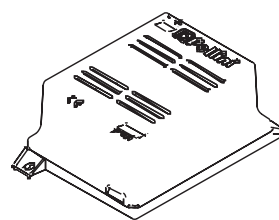
Note

The **REMOTE** terminal is available to allow the installer the opportunity to meet the client's requirements for a variety of group control combinations. This is achieved by connecting the REMOTE terminal to the MOTOR output terminal of another SL1807 CONTROL UNIT. A typical application would be where a single control is required for a number in blinds already controlled individually by a control unit. By connecting a new control unit via the MOTOR output in parallel with all the REMOTE terminals of the existing control units involved in the total operation, the additional control unit, once has been activated, will control all the control units simultaneously, whilst still allowing control of each motor separately.

Multiple control systems can be built up using this procedure.

SL1868 Power supply

This power supply unit has been specially developed for the SL27M motor. It comprises two external brackets for wall fixing and two internal terminal blocks – one for the mains power supply connection and the other for the 24V dc output. It can supply up to a maximum of 4 motors.



Technical features

Dimensions (mm)

110 (130 included fixing fins) x85x50 (height)

Type

Switching

Output

24V dc \pm 5%

Maximum current output

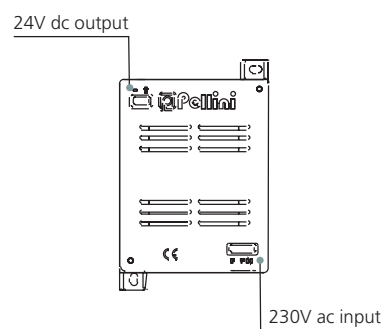
2 A

Internal protection fuse

3,15 A delayed

Working temperature

-20 +60°C



Remote control programming

The receiver of the remote control must be programmed during installation in order to be connected to the signals from the transmitter.

The receiver is equipped with a programming procedure to automatically recognise the transmitter (self-learning); this is simply achieved by pressing the button on the receiver.

Receiver programming procedure

Press the 'P1' button located on the receiver and the respective L.E.D. will flash 5 times.

During this flashing period, press one of the transmitter buttons to memorise the position.

The L.E.D. on the receiver will now continuously flash for 3 seconds to confirm positive record of setting.

To set channel 'P2', on the receiver repeat the above operation, using the other button located on the transmitter.

Electric connection to the blind

Connect the two-core cable with the attached ring connectors to the terminals located in the top right corner key (top left on request), using the 2 No. screws provided. For this procedure, please see the picture sequence present on the assembly instructions (H1 & H2).

During this operation please ensure that the screws are fully tightened to avoid bad connection and subsequent malfunction.

Cover the area around the connection with more secondary sealant to ensure no possibility of water penetration creating a short circuit after glazing.

Ensure that there is no possibility of the wires being damage by the framing system causing a short circuit.

Function of the blind

The system SL27M pleated must be connected to a power supply sufficient to ensure a constant 24V dc supply to all the connected motors.

The electronic card, contained inside the blind, controls the several functions, one of which controls the stop position corresponding to the end stop of the top and bottom positions.

The dedicated software provides two speeds. Slow speed to stop the motor slowly as the blind approaches the end stops, and a higher speed for the raising and lowering function.

The blind function (Up / Down) is activated by switching the power supply (inversion).

It is possible to control the Up / Down inversion using a rocker switch (two way retractable – centre off), or by a double commutator switch, or alternatively by remote radio control.

- Using a double commutator switch (i.e. Vimar – Idea serie – code 16145), it is possible to connect all the blinds to be controlled simultaneously with only two wires.
- A standard rocker type switch should be used in conjunction with a dedicated "control unit". This system will allow any group of up to 4 blinds to be controlled together using only two wires.

- Remote radio control should also be used in conjunction with a dedicated “control unit”.

The following selection of wiring diagrams indicates the wide variety of possible combinations.

To raise/lower the blind, press the Up or Down switch until the speed increases. Once the fast speed is reached the button can be released and the blind will continue to move, reaching the end stop where it automatically slows. This method of operation increases the life of the system, since it avoids any involuntary interventions. For systems without the control unit press the switch till the desired position is reached.

To stop the stroke of the blind, press the Up or Down button or move towards the centre the double commutator switch.

Setting of the blind end stops

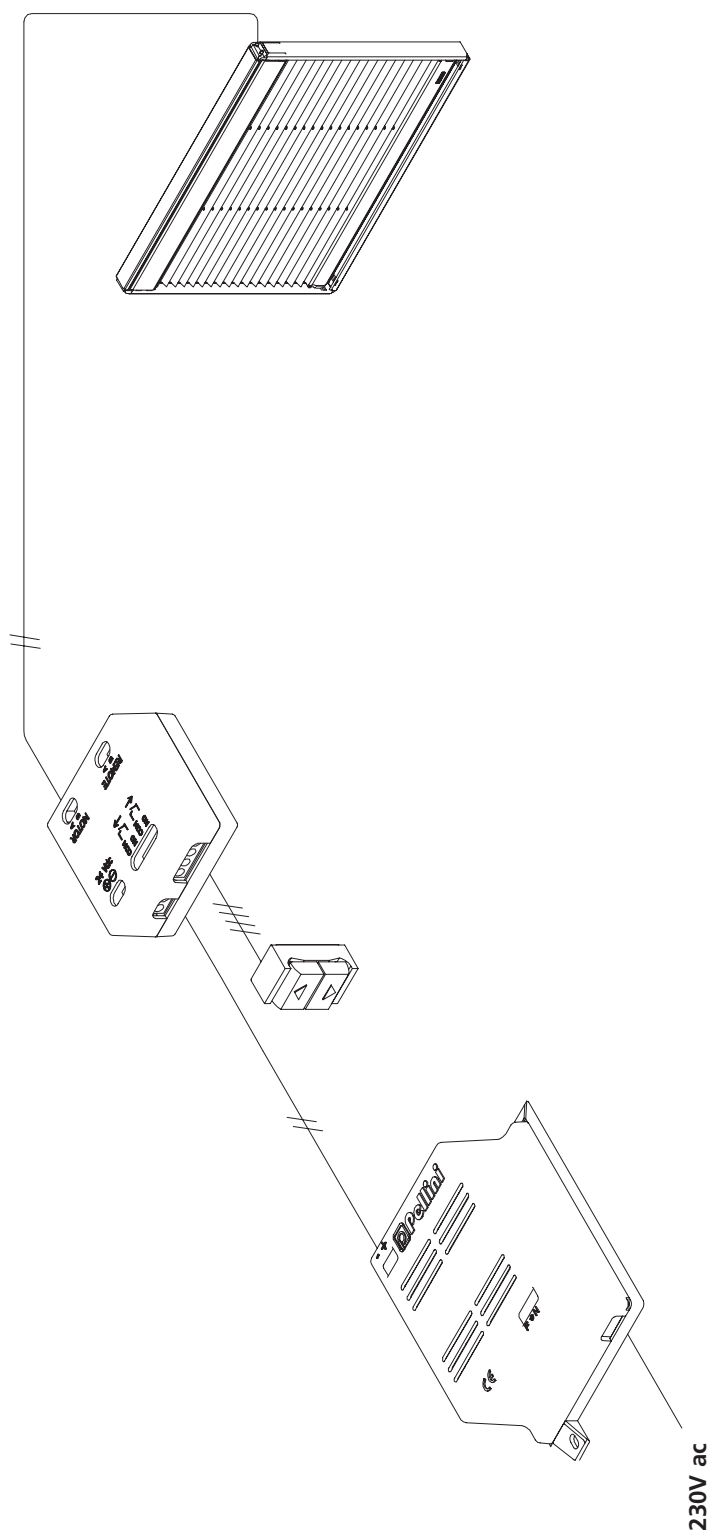
The setting of the blind end stops is carried out in the Company during manufacture.

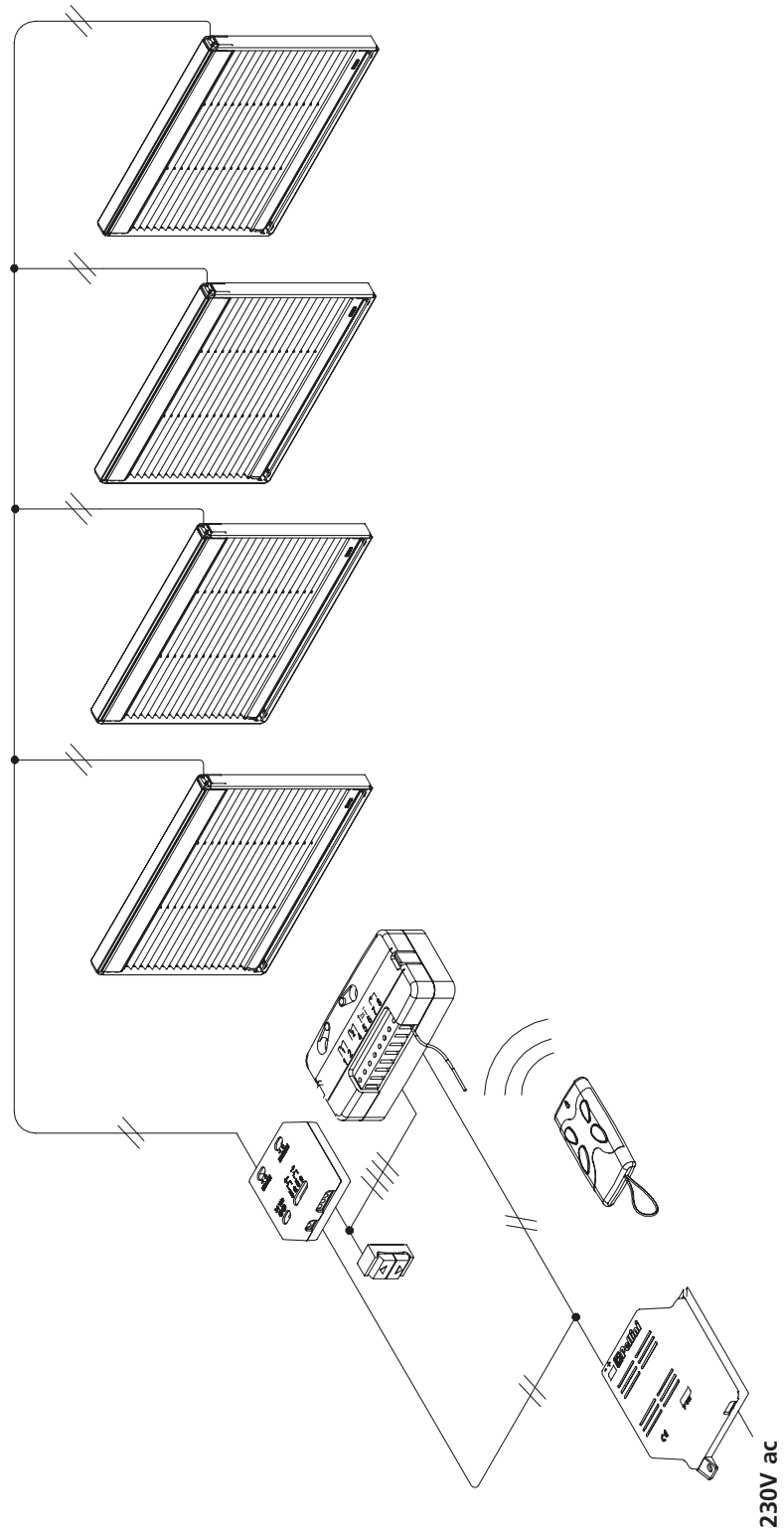
The motor has a self-learning process: the blind, during the raise and lower operation is able to recognise the extreme positions and to memorise them. Once these limits are memorised, the blind will move between these two positions, and when nearing the limit the blind will slowly come to rest and so avoid sudden stops which results in less stress on the components.

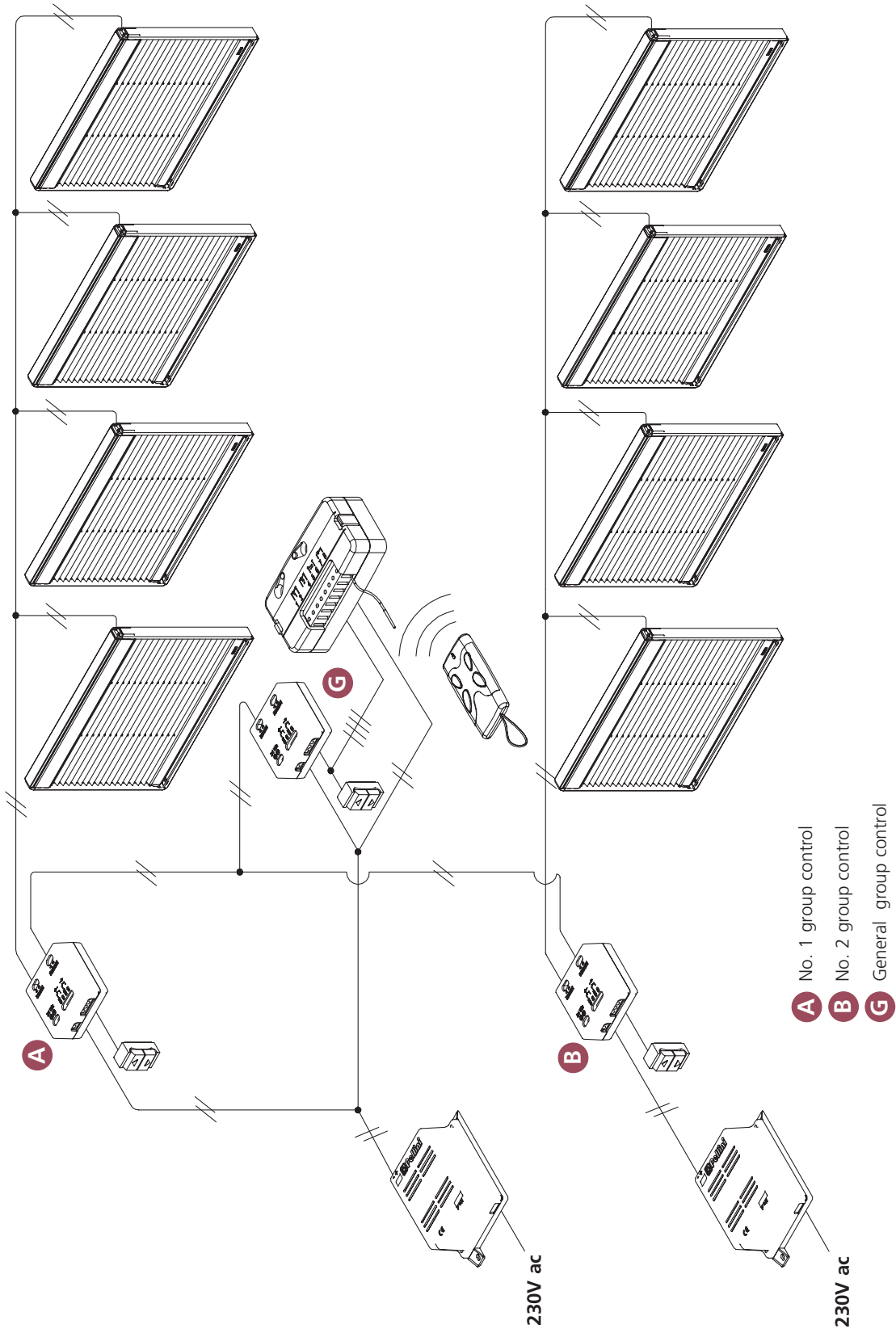
When the motor experiences a sudden increase in the energy absorption or a remarkable reduction of the motor speed, as a possible result of glass deflection (e.g. reduced cavity), the blind will stop. When this occurs all previous limits are over-ridden and the blind will wait till new one's are self-learned. When this unexpected stop occurs, and the cause of the blind to stop is resolved, the original end stop will be automatically reset and the blind will function normally.

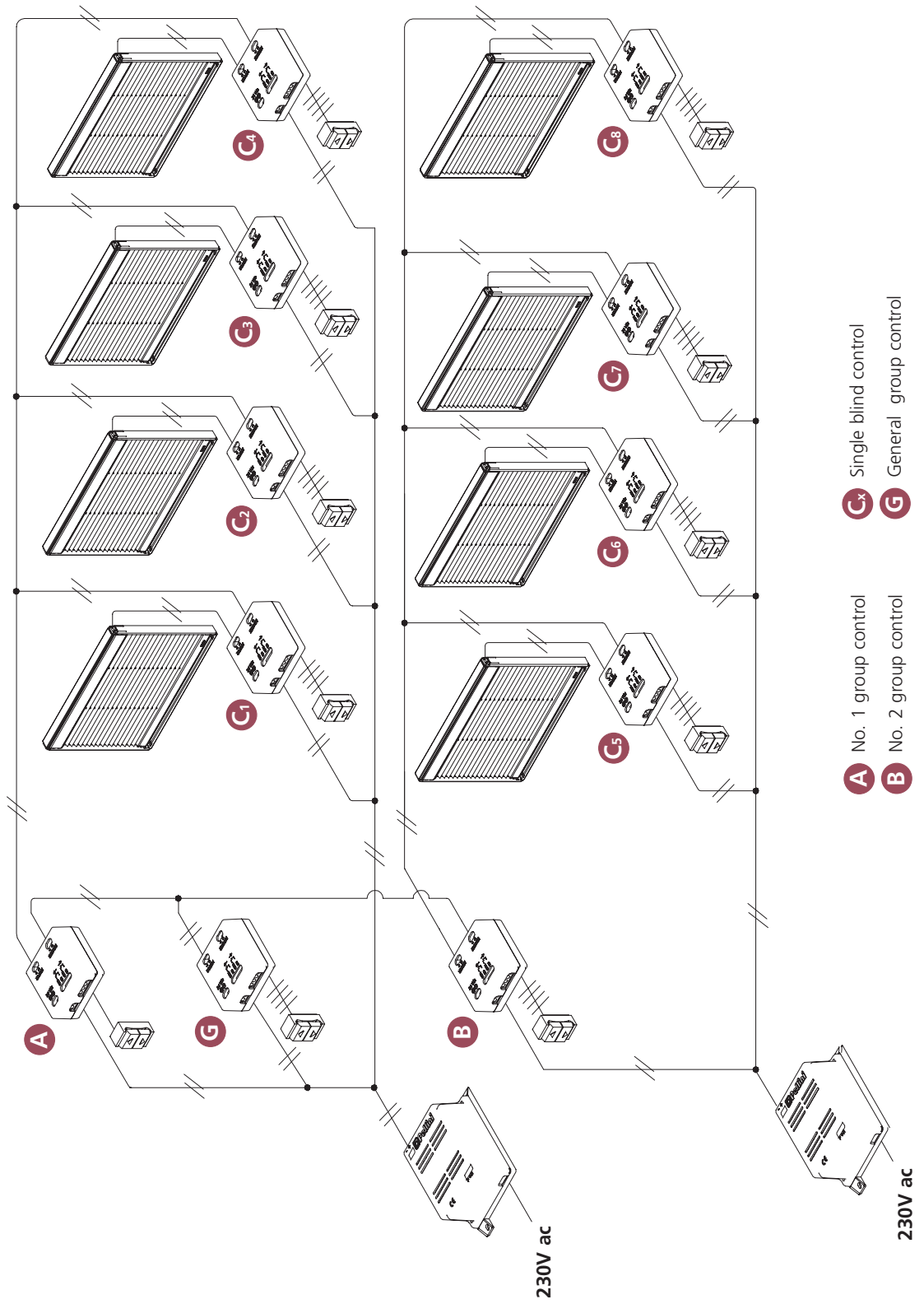
Where it is deemed a faster recognition of the end stop by the motor is required, the following procedure must be followed (at least two times). Raise the blind by pressing the Up button; the blind raises and forms a stack at the top limit and then goes down a few millimetres, signalling that the end stop has been memorised. Then press the down button and wait till the blind reaches the lower limit and stops.

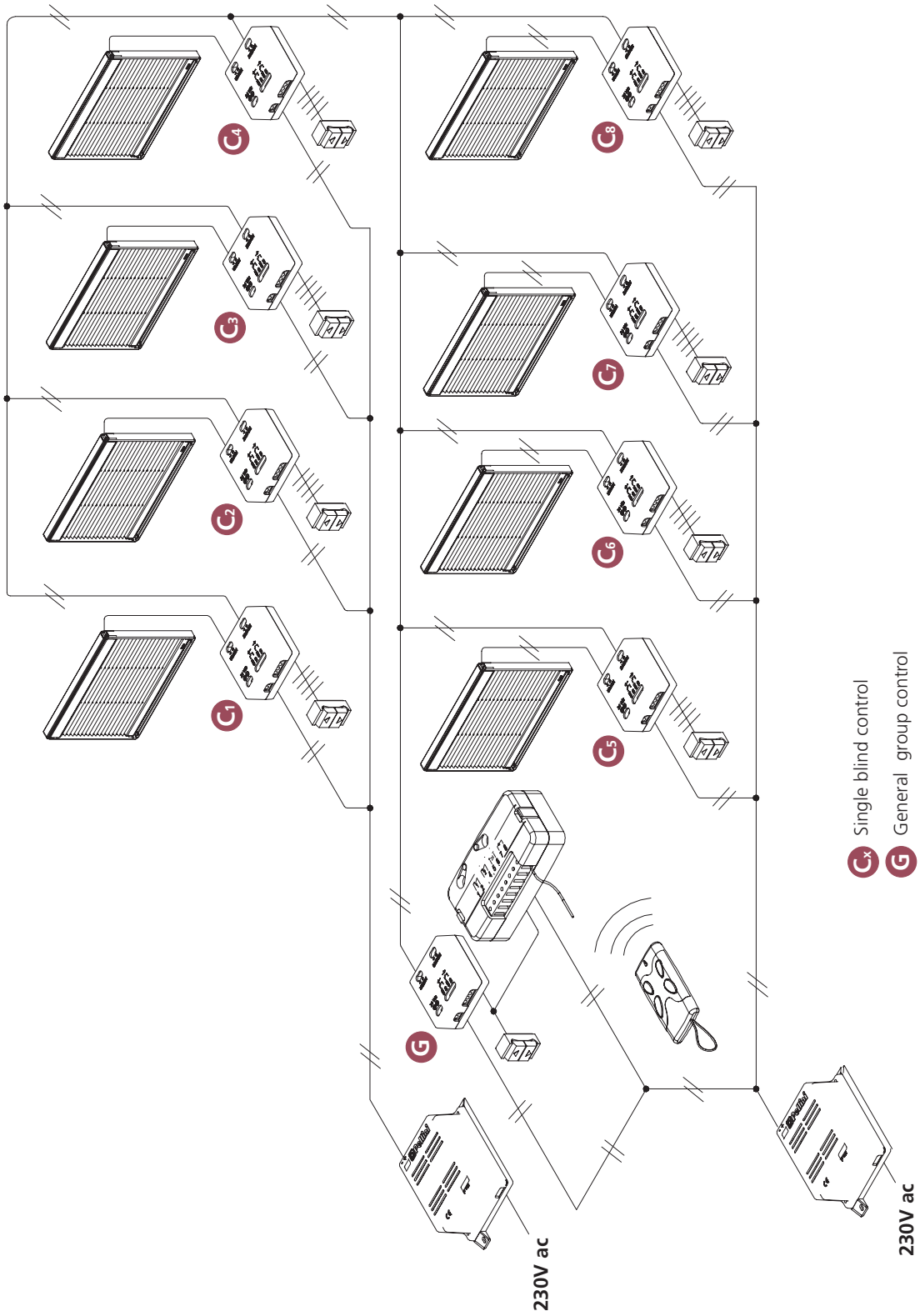
Where the blind stops before reaching the lower position, to reset the original end stop press the down button again until the blind goes down further and then comes to a sudden stop. The motor then memorises this lower position and will approach the limit more slowly when nearing this limit in future movements.











- C** Single blind control
- G** General group control

5. Pellini® general sale terms and conditions

1. OVERALL The general sale terms and conditions specified below ("General Sale Terms and Conditions"), are an integrated part of the order and/or order confirmation regarding the products and/or services ("Order" and "Order Confirmation") submitted to and supplied by Pellini S.p.A. ("Company"). Therefore the order is accepted by the company and placed by the purchaser ("Purchaser") in compliance with the General Terms which - unless otherwise agreed and undersigned by the Company - must be deemed to prevail over the various clauses and conditions referred to by the Purchaser.

2. TRADEMARKS AND PATENTS The Company is the sole owner, or licensee in force of regular contracts, of all the rights of industrial property relative to the trademarks placed on the products constituting the object of the Order ("Products") and of all the patents in force of which the Products have been manufactured. The Purchaser is in no way authorized to remove the trademarks of the Company from the Products, to replace them with other trademarks nor to add trademarks and/or other distinctive signs other than those owned by the Company.

3. PRODUCTS OWNERSHIP The ownership of the Products, even after supply has taken place, resides with the Company until the aforementioned company account has been settled by the Purchaser the entire payment of all the invoices relative to the Products delivered to the purchaser according to that provided for by art. 6 shown below.

4. PRICES Prices are those specified in the Order or, if different, those specified by the Company in the Order Confirmation which are set based on the costs relative to materials, manufacturing or any other cost known to the Company on the date of the Order Confirmation. Should the Company decide to increase prices owing to increases recorded in such costs following that date, the Company will have to notify the Purchaser of the new prices, by registered letter or in writing, within 15 (fifteen) days after the date of the Order or, if subsequent, of the Order Confirmation. In this case, the new price will be deemed constituting the price of the Order, namely of the part of the order to be processed. If the new Price exceeds the previous one by over 10%, the Purchaser will be entitled to cancel the Order, namely the part of it still unprocessed by notifying such decision to the Company by written notice, possibly by registered letter, ahead of the Products shipment and, in any case, within and not later than 14 (fourteen) days after the date of forwarding of the price increase notice. Unless agreed otherwise in writing, the prices quoted by the Company are expressed in Euro and do not cover freight charges, insurance, loading and unloading of the Products and VAT or any other taxation, levies or duties and are ex works of the Company and delivered in standard packing.

5. PACKING, FREIGHT AND INSURANCE - RISKS CHARGES Charges for standard packing of the Products are met by the company, while charges for special packing (e.g. pallets or wooden crates in case of shipment) are charged to the Purchaser.

Freight charges of the Products through the forwarding company chosen by the Company and advanced by the same will be charged to the Purchaser in the invoice unless otherwise agreed. The Purchaser is also bound to pay to the Company an extra amount on the total amount of the Products specified in the invoice to meet with the expenses faced by the latter for insurance purposes. Freight charges of the Products are charged to the Purchaser who, within 3 (three) days after receipt, must inform the Company about any defect, damage, theft, shortage and delays occurred during the transport in order for the latter to file a complaint and formulate the necessary actions against either the forwarding company or the insurance company.

6. PAYMENT TERMS The price of the Products will have to be paid by the Purchaser to the Company within the deadline indicated in the sale invoices issued by the latter. 14 (fourteen) days having elapsed from the date of payment, the Company will be empowered to issue a sight draft to obtain the due amount alongside the interests for delayed payment which amounts to that provided for by art. 5 of the decree 9.10.2002 no. 231. The company reserves the right to claim damages, if any.

7. BREACH OF THE PURCHASER The Purchaser who does not settle the payment within the agreed terms, will be held in default albeit he/she will not have received any default notice. In the case of default by the Purchaser to pay the purchase price of the Products to the Company, according to what provided for by the art. 6 mentioned above, the Company reserves the right to cancel the Orders entirely or partly or to suspend delivery of the outgoing Products bound to the Purchaser's warehouse, even without issuing a default or injunction notice to the Purchaser, and is subject, anyway, to compensation for damage.

Should the Order refer to more deliveries, with regard to which the Company has issued more invoices, the delayed payment from the Purchaser - even if by one day only - of such invoices - or even one of them only - authorizes the Company to suspend finally later deliveries of the Products. In addition the Company will also be entitled to cancel an Order or to suspend partly or entirely the supply of the Products to the Purchaser, should a change in the financial and economic conditions of the same occur, such that his/her solvency guarantee is reduced. If the Purchaser is declared bankrupt, declares shutting down or ceases anyway to exist, or undergoes restraint or seizure of his/her property, the Company will be entitled to delay or cancel future deliveries, if any, and/or to back out of any contract without losing the right to be paid the full purchase price of the Products. The credit collection charges faced by the Company - both during the course of court proceedings and out of Court proceedings - including the fees charged by the Italian Lawyers, set by the Ordine degli Avvocati (Association of Italian Lawyers), will be charged entirely to the Purchaser. The Purchaser will not be entitled to withhold or compensate any payment by an alleged credit towards the Company.

8. SITE OF DELIVERY OF THE PRODUCTS The site of delivery of the Products is the factory of the company, based in Italy at Codogno (LO), Via Fusari, 19 ("Factory").

9. PRODUCTS DELIVERY TERMS Whereas the delivery of the Products is subordinate to the availability of the same at the Factory, the Company will do everything in its capacity to deliver the Products within the delivery terms agreed in the Order or, if different, in the Order Confirmation. Such terms, however, are approximate and not imperative. In case of delay, therefore, the Company will not be liable for breach of contract. Should a given delivery term have been agreed, the Purchaser will have to allow a proper extension - in any case not less than 30 (thirty) days - in order for the Company to fulfil its obligations. Only in case the agreed extension timeframe should be exceeded, will the Company be liable for breach of contract. Unless agreed otherwise in writing, the Company is entitled to carry out the delivery of the Products in instalments.

10. FORCE MAJEURE Should the Company be faced with the impossibility to carry out the delivery within the agreed terms, due to circumstances beyond its control such as, by way of illustration and not exhaustive: war, governmental restrictions, strikes or lockouts, work force demonstrations or other general or local events; fire, floods, explosions, natural catastrophes, or any other acts of God owing to which the Products have been damaged and/or destroyed or any event which, be that as it may, may cause problems to the Company in terms of manufacturing, delivery or supply of the Products, the Company, without obligation to provide explanations to the Purchaser, will be entitled to cancel all and/or part of the Order, while doing everything in its capacity to inform the Purchaser as soon as possible. It remains that, in these cases, the Purchaser will not be entitled to require any reimbursement from the Company as compensation for the damage, if any, suffered by the Purchaser and/or by third parties owing to the cancellation of the Order by the Company.

11. ORDER VARIATIONS, CHANGES AND CANCELLATIONS The Order of the Products is irrevocably confirmed by the Purchaser.

Barring what provided for by the art. 4 aforementioned, any changes or cancellations of the Order from the Purchaser and expressly authorized by the Company, will have to be communicated in writing to the latter by registered letter within, and at the latest, 10 (ten) days after the date of issuing of the Order.

12. NON COLLECTION OF THE PRODUCTS FROM THE PURCHASER Should the Purchaser not collect the purchased Products delivered to destination, the Company will be entitled, at its own discretion, to: (I) demand the settlement of the payment and leave the Products at the Purchaser's disposal; (II) proceed to the sale of the Products to third parties, without amendments or any other sort of measures having to be taken by the Legal Authorities. It remains that any stoppage dues arising from the non collection of the goods at the forwarding company, handling and freight charges applying to the Products are charged to the Purchaser. Should the Purchaser have difficulty in accepting the delivery for a period of time longer than 14 (fourteen) days, the Company will be entitled to back out of the contract. In any case, it is agreed that the Company is fully entitled to compensation for the damage suffered.

13. PRODUCTS WARRANTY AND COMPLAINTS All the Products supplied by the Company are guaranteed against production faults provided they are handled in compliance with correct procedures. The Purchaser is obliged to inspect the goods delivered upon receipt of the same. Complaints, if any, about Product faults are to be communicated to the Company by means of registered letter - or anyway in writing - : (I) in case of manifest faults, within and not later than 5 (five) days after receipt of the Products; (II) in case of hidden faults, within and not later than 8 (eight) days after ascertaining the fault and, however, not later than 30 (thirty) days after delivery of the Products. The above being stated, no complaint can be made unless judicially exerted by way of action or plea, within 3 (three) months after receipt of the single batches of Products. However complaints are to be provided with all the evidence necessary to their documentation. Inadequate information in this regard might cause delays to the Company to settle the complaint. It is agreed that, should this be the case, the Company will not be liable for such delays. Complaints regarding Products having been cut, used and/or processed after the delivery, will be rejected, except when faults other than production faults could not be detected before the processing of the goods. Complaints regarding the processing expenses of the delivered goods will be rejected. Differences of the Products from what specified in the Order or, if different, in the Order Confirmation with reference to quality, quantity, width, colours, finishes, size and the like, which stand for variations commonly accepted in the commercial practice or technically inevitable, will not be considered valid reasons for lodging complaints. The Purchaser is not entitled to give back the Products or refuse the delivery unless through written authorization of the Company. Being agreed that, in no way, will the complaints authorize the Purchaser to suspend or delay the payment of the invoices relative to the Products. Should the grounds of the complaint be conventionally or legally acknowledged and should it not be settled with the Company granting a discount on the purchase price of the Products, the Purchaser will be entitled to ask the Company to be reimbursed exclusively the price of all the defective Products as per the relative invoice. The Company will be entitled to choose, at its own discretion and upon return of the defective Products, whether (I) to replace the Products with other flawless Products or (II) to reimburse to the Purchaser the price paid by the latter for the defective Products. Being agreed, in any case, that the Purchaser will waive any claim of reimbursement for any direct or consequential damage that might arise. The Purchaser will further have to protect the Company against any possible complaint from third parties regarding goods or services supplied by the Company.

14. RETURNED GOODS In no way will the Purchaser be entitled to return the Products purchased and duly delivered by the Company, without written authorization of the Company.

Should such authorization be granted, the Purchaser, however, will have to specify the goods return authorization number provided by the Company in the forwarding note, upon express request of the Purchaser. The Products returned will have to be intact and in perfect conditions. Should the Products turn out damaged, the Company reserves the right, in its sole discretion, to: (I) reject the return of the Products; or (II) to charge the Purchaser with the cost of the Products and/or of all the steps required to their fixing. Forwarding of the returned goods will have to be free port at the Factory.

15. GOVERNING LAW AND PLACE OF JURISDICTION All the contracts executed by the Company will be governed by the laws in force in Italy except for the Vienna Convention on International Trade. For all disputes that should arise with regard to the contracts executed by the Company, in the first instance the Court of Lodi, Italy, will be the sole place of jurisdiction, being agreed that the Company is entitled to take legal measures against the Purchaser before the competent Court of the place of residence of the Purchaser or before any other competent Court.

- ScreenLine® is a Pellini S.p.A. product.
- The ScreenLine® Technical Catalogue / Price List is the exclusive property of Pellini S.p.A.
- Pellini S.p.A. reserves the right to modify or alter the contents of the Technical Catalogue / Price List without notice, and therefore the content must be considered as indicative and not binding.